



Kingbright



SIMPEX
electronic



Simpex Electronic AG
Binzackerstrasse 33
CH-8620 Wetzikon
Telefon +41 44 931 10 60

www.simpex.ch
contact@simpex.ch
CHE-108.018.777 MWST

Optoelectronic Components

2022-2024

Through-Hole LED

Kingbright through-hole LEDs are available with a variety of sizes, shapes, viewing angles, color combinations, lens types and brightness. Our extensive selection fulfills virtually any need in through-hole LED applications.



21 /
Round LED

24 /
Oval LED



25 /
Flat Top LED

25 /
Rectangular LED



26 /
Cylindrical LED

27 /
Multi-Color LED



29 /
Resistor LED

29 /
Low Current LED


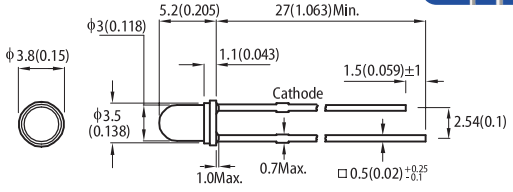

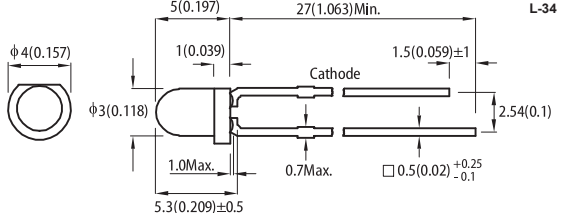

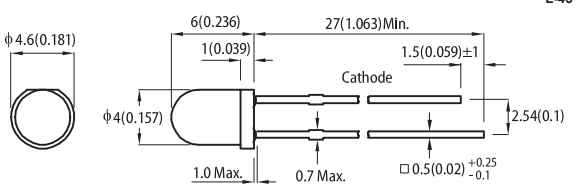

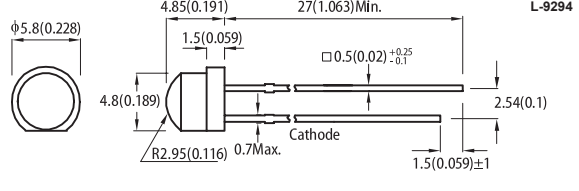
ROUND LED

Part Number	Material	λD (nm)	Lens Type	Iv (mcd) @10mA *20mA		Viewing Angle 2θ1/2	Dimensions
				Min.	Typ.		
L-908A8ID	GaAsP/GaP	617	red diffused	6	15	60°	<p>T-1 (3mm) Round</p>
L-908A8GD	GaP	568	green diffused	10	25	60°	
L-1154ID	GaAsP/GaP	617	red diffused	6	15	60°	<p>T-1 (3mm) Round</p>
L-1154SURDK	AlGaInP	630	red diffused	*120	*200	60°	
L-1154YD	GaAsP/GaP	588	yellow diffused	5	15	60°	
L-1154GD	GaP	568	green diffused	10	25	60°	
L-1154CGDK	AlGaInP	570	green diffused	*80	*120	60°	
L-7104ID	GaAsP/GaP	617	red diffused	10	20	50°	<p>T-1 (3mm) Round</p>
L-7104EC	GaAsP/GaP	617	water clear	12	30	30°	
L-7104ND	GaAsP/GaP	602	orange diffused	10	20	50°	
L-7104NC	GaAsP/GaP	602	water clear	12	30	30°	
L-7104YD	GaAsP/GaP	588	yellow diffused	8	15	50°	
L-7104GD	GaP	568	green diffused	10	25	50°	
L-7104GC	GaP	568	water clear	12	40	30°	
L-7104SRD-J4	AlGaInP	640	red diffused	*200	*500	50°	
L-7104SRC-J4	AlGaInP	640	water clear	*1000	*1500	30°	
L-7104SURDK	AlGaInP	630	red diffused	*120	*240	50°	
L-7104SURCK	AlGaInP	630	water clear	*400	*900	30°	
L-7104SURC-E	AlGaInP	630	water clear	*500	*1100	30°	
L-7104SECK-J3	AlGaInP	625	water clear	*2300	*3600	30°	
L-7104SECK	AlGaInP	605	water clear	*700	*1400	30°	
L-7104SECK-J4	AlGaInP	605	water clear	*3600	*6000	30°	
L-7104SYDK	AlGaInP	590	yellow diffused	*400	*800	50°	
L-7104SYCK	AlGaInP	590	water clear	*700	*1500	30°	
L-7104SYCK-J3	AlGaInP	590	water clear	*1900	*3000	30°	
L-7104SGD	GaP	568	green diffused	*18	*40	50°	
L-7104SGC	GaP	568	water clear	*30	*60	30°	
L-7104CGDK	AlGaInP	570	green diffused	*80	*250	50°	
L-7104CGCK	AlGaInP	570	water clear	*200	*500	30°	
L-7104ZGCK	InGaN	525	water clear	*8000	*14000	30°	
L-7104ZGC-G	InGaN	525	water clear	*10500	*16500	30°	
L-7104VBC-D	InGaN	470	water clear	*2100	*3700	30°	
L-7104QBC-D	InGaN	465	water clear	*900	*1600	30°	

NOTES:


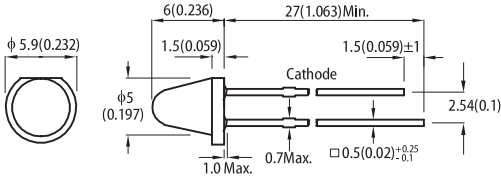

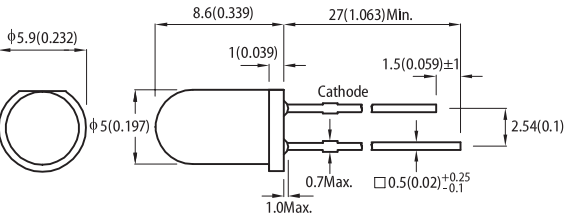

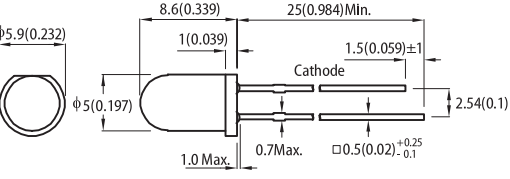
1. All dimensions are in millimeters(inches).
2. Tolerance is ±0.25mm(0.01") unless otherwise noted.
3. Luminous intensity value is traceable to CIE127-2007 standards.

ROUND LED

Part Number	Material	λ_D (nm)	Lens Type	Iv (mcd) @10mA *20mA		Viewing Angle 2 θ 1/2	Dimensions
				Min.	Typ.		
L-132XID	GaAsP/GaP	617	red diffused	8	16	60°	T-1 (3mm) Round  
L-132XSURTK	AlGaInP	630	red transparent	*200	*400	50°	
L-132XND	GaAsP/GaP	602	orange diffused	8	16	60°	
L-132XNT	GaAsP/GaP	602	orange transparent	10	20	50°	
L-132XYD	GaAsP/GaP	588	yellow diffused	6	15	60°	
L-132XYT	GaAsP/GaP	588	yellow transparent	10	20	50°	
L-132XGD	GaP	568	green diffused	15	25	60°	
L-34ID	GaAsP/GaP	617	red diffused	6	15	60°	T-1 (3mm) Round  
L-34SURDK	AlGaInP	630	red diffused	*100	*250	60°	
L-34YD	GaAsP/GaP	588	yellow diffused	8	15	60°	
L-34GD	GaP	568	green diffused	12	25	60°	
L-34CGCK	AlGaInP	570	water clear	*150	*400	50°	
L-34ZGC	InGaN	525	water clear	*4200	*6500	30°	
L-34QBC-D	InGaN	465	water clear	*800	*1500	30°	
L-43ID	GaAsP/GaP	617	red diffused	4	10	80°	4mm Round  
L-43YD	GaAsP/GaP	588	yellow diffused	5	10	80°	
L-43GD	GaP	568	green diffused	8	16	80°	
L-9294SURCK	AlGaInP	630	water clear	*100	*180	70°	5mm Round  
L-9294VBC-D	InGaN	470	water clear	*500	*1100	70°	

NOTES:
 1. All dimensions are in millimeters(inches).
 2. Tolerance is $\pm 0.25\text{mm}(0.01")$ unless otherwise noted.
 3. Luminous intensity value is traceable to CIE127-2007 standards.


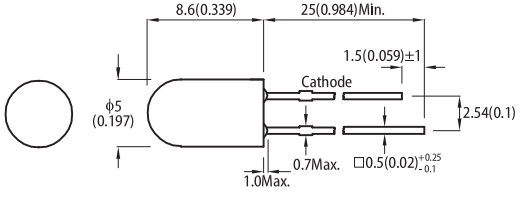

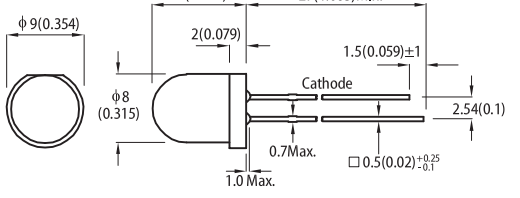

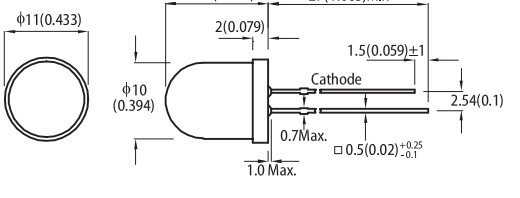
ROUND LED

Part Number	Material	λD (nm)	Lens Type	Iv (mcd) @10mA *20mA		Viewing Angle 2θ1/2	Dimensions
				Min.	Typ.		
L-63ID	GaAsP/GaP	● 617	red diffused	8	12	60°	T-1 3/4 (5mm) Round  
L-63IT	GaAsP/GaP	● 617	red transparent	10	30	30°	
L-63GD	GaP	● 568	green diffused	8	16	60°	
L-7113ID	GaAsP/GaP	● 617	red diffused	18	40	30°	T-1 3/4 (5mm) Round  
L-7113ED	GaAsP/GaP	● 617	orange diffused	18	40	30°	
L-7113EC	GaAsP/GaP	● 617	water clear	40	100	20°	
L-7113YD	GaAsP/GaP	● 588	yellow diffused	10	25	30°	
L-7113YC	GaAsP/GaP	● 588	water clear	30	80	20°	
L-7113GD	GaP	● 568	green diffused	15	30	30°	
L-7113GC	GaP	● 568	water clear	25	80	20°	
L-7113SRD-J4	AlGaInP	● 640	red diffused	*300	*600	30°	
L-7113SRC-J4	AlGaInP	● 640	water clear	*3300	*5000	20°	
L-7113SURDK	AlGaInP	● 630	red diffused	*300	*650	30°	
L-7113SURCK	AlGaInP	● 630	water clear	*900	*1300	20°	
L-7113SEC-J3	AlGaInP	● 625	water clear	*5000	*8000	20°	
L-7113SECK	AlGaInP	● 605	water clear	*1300	*2100	20°	
L-7113SYDK	AlGaInP	● 590	yellow diffused	*500	*1000	30°	
L-7113SYCK	AlGaInP	● 590	water clear	*1800	*3000	20°	
L-7113SYCK-J3	AlGaInP	● 590	water clear	*5000	*7800	20°	
L-7113SYC-J3	AlGaInP	● 590	water clear	*5100	*8000	20°	
L-7113CGDK	AlGaInP	● 570	green diffused	*50	*140	30°	
L-7113CGCK	AlGaInP	● 570	water clear	*700	*1400	20°	
L-7113ZGCK	InGaIn	● 525	water clear	*14000	*26000	20°	
L-7113ZGC	InGaIn	● 525	water clear	*15000	*27000	20°	
L-7113ZGC-G	InGaIn	● 525	water clear	*18000	*30000	20°	
L-7113VBC-D	InGaIn	● 470	water clear	*4300	*7000	20°	
L-7113QBC-D	InGaIn	● 465	water clear	*3100	*4500	20°	
L-7143SURCK	AlGaInP	● 630	water clear	*500	*900	30°	T-1 3/4 (5mm) Round  
L-7143SGC	GaP	● 568	water clear	*120	*300	30°	
L-7143VBC-D	InGaIn	● 470	water clear	*1900	*3100	30°	
L-7143QBC-D	InGaIn	● 465	water clear	*1600	*2700	30°	


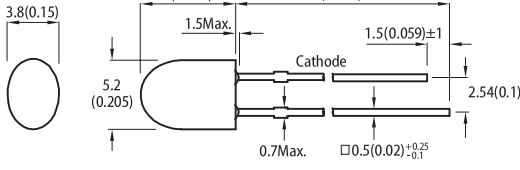
NOTES:

1. All dimensions are in millimeters(inches).
2. Tolerance is ±0.25mm(0.01") unless otherwise noted.
3. Luminous intensity value is traceable to CIE127-2007 standards.

ROUND LED

Part Number	Material	λ_D (nm)	Lens Type	Iv (mcd) @10mA *20mA		Viewing Angle 2 θ 1/2	Dimensions
				Min.	Typ.		
L-1503ID	GaAsP/GaP	617	red diffused	12	40	30°	T-1 3/4 (5mm) Round  L-1503 
L-1503SRC-J4	AlGaInP	640	water clear	*2500	*4300	20°	
L-1503SURDK	AlGaInP	630	red diffused	*400	*700	30°	
L-1503YD	GaAsP/GaP	588	yellow diffused	15	30	30°	
L-1503GD	GaP	568	green diffused	15	30	30°	
L-1503CGDK	AlGaInP	570	green diffused	*100	*200	30°	
L-793ID	GaAsP/GaP	617	red diffused	*30	*60	30°	8mm Round  L-793 
L-793GD	GaP	568	green diffused	*30	*60	30°	
L-813ID	GaAsP/GaP	617	red diffused	*36	*80	30°	10mm Round  L-813 
L-813SRC-J4	AlGaInP	640	water clear	*2500	*4000	15°	
L-813YD	GaAsP/GaP	588	yellow diffused	*18	*50	30°	
L-813GD	GaP	568	green diffused	*20	*60	30°	

OVAL LED

Part Number	Material	λ_D (nm)	Lens Type	Iv (mcd) @20mA		Viewing Angle 2 θ 1/2	Dimensions
				Min.	Typ.		
L-5603SURCK	AlGaInP	630	water clear	400	800	70°(H) 30°(V)	5.2mm Oval  L-5603 
L-5603SIDL/SD-J3	AlGaInP	625	red semi diffused	800	1400	80°(H) 40°(V)	
L-5603SYCK	AlGaInP	590	water clear	1000	1600	70°(H) 30°(V)	
L-5603ZGT	InGaN	525	green transparent	4200	7000	50°(H) 30°(V)	
L-5603QBC-D	InGaN	465	water clear	700	1400	50°(H) 30°(V)	

NOTES:

- All dimensions are in millimeters(inches).
- Tolerance is $\pm 0.25\text{mm}(0.01")$ unless otherwise noted.
- Luminous intensity value is traceable to CIE127-2007 standards.

FLAT TOP LED


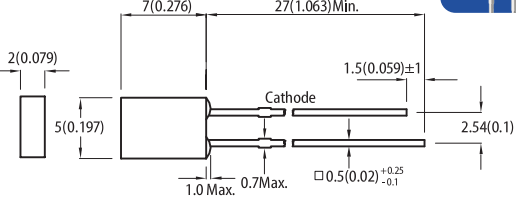

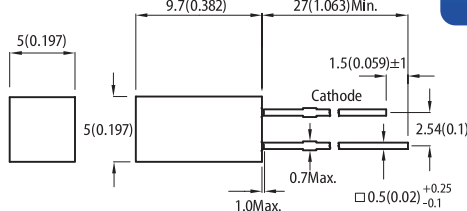
Part Number	Material	λ_D (nm)	Lens Type	Iv (mcd) @10mA *20mA		Viewing Angle 2 θ 1/2	Dimensions
				Min.	Typ.		
L-1034IDT	GaAsP/GaP	617	red diffused	2	4	140°	2mm Flat Top
L-1034GDT	GaP	568	green diffused	2	5	140°	
L-13SURDK	AlGaInP	630	red diffused	*80	*200	50°	2mm Flat Top
L-13SYDK	AlGaInP	590	yellow diffused	*80	*200	50°	
L-13CGDK	AlGaInP	570	green diffused	*20	*40	50°	

RECTANGULAR LED


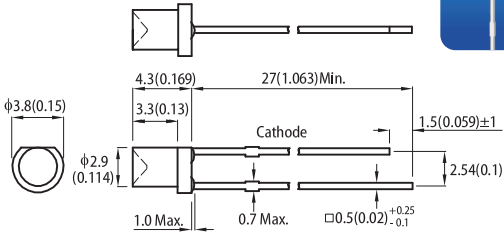

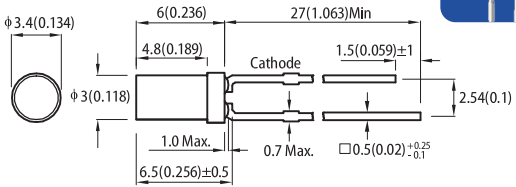
Part Number	Material	λ_D (nm)	Lens Type	Iv (mcd) @10mA		Viewing Angle 2 θ 1/2	Dimensions
				Min.	Typ.		
L-144IDT	GaAsP/GaP	617	red diffused	1.2	3	140°	1.9mm x 3.9mm Rectangular
L-144GDT	GaP	568	green diffused	2	6	140°	
L-914IDT	GaAsP/GaP	617	red diffused	1.2	4	140°	2mm x 3mm Rectangular
L-914GDT	GaP	568	green diffused	3	6	140°	
L-169XID	GaAsP/GaP	617	red diffused	8	14	60°	2mm x 3mm Rectangular
L-169XYD	GaAsP/GaP	588	yellow diffused	5	10	60°	
L-169XGD	GaP	568	green diffused	8	15	60°	

NOTES:
 1. All dimensions are in millimeters(inches).
 2. Tolerance is $\pm 0.25\text{mm}(0.01\text{'})$ unless otherwise noted.
 3. Luminous intensity value is traceable to CIE127-2007 standards.

RECTANGULAR LED

Part Number	Material	λ_D (nm)	Lens Type	Iv (mcd) @10mA *20mA		Viewing Angle 2 θ 1/2	Dimensions
				Min.	Typ.		
L-113IDT	GaAsP/GaP	617	red diffused	2	4	140°	2mm x 5mm Rectangular  
L-113YDT	GaAsP/GaP	588	yellow diffused	1.2	4	140°	
L-113SYDTK	AlGaInP	590	yellow diffused	*70	*120	140°	
L-113GDT	GaP	568	green diffused	1.2	5	140°	
L-113CGDTK	AlGaInP	570	green diffused	*10	*30	140°	
L-1553IDT	GaAsP/GaP	617	red diffused	2	5	140°	5mm x 5mm Square  
L-1553YDT	GaAsP/GaP	588	yellow diffused	1.5	5	140°	
L-1553SYDTK	AlGaInP	590	yellow diffused	*80	*180	140°	
L-1553GDT	GaP	568	green diffused	3	6	140°	

CYLINDRICAL LED

Part Number	Material	λ_D (nm)	Lens Type	Iv (mcd) @10mA		Viewing Angle 2 θ 1/2	Dimensions
				Min.	Typ.		
L-47XEC	GaAsP/GaP	617	water clear	4	8	100°	T-1 (3mm) Cylindrical  
L-47XYT	GaAsP/GaP	588	yellow transparent	2	4	100°	
L-424IDT	GaAsP/GaP	617	red diffused	1.2	4	140°	T-1 (3mm) Cylindrical  
L-424YDT	GaAsP/GaP	588	yellow diffused	1.2	3	140°	
L-424GDT	GaP	568	green diffused	2	6	140°	

NOTES:

- All dimensions are in millimeters (inches).
- Tolerance is $\pm 0.25\text{mm}$ ($0.01''$) unless otherwise noted.
- Luminous intensity value is traceable to CIE127-2007 standards.

CYLINDRICAL LED

Part Number	Material	λ_D (nm)	Lens Type	Iv (mcd) @10mA		Viewing Angle 2 θ 1/2	Dimensions
				Min.	Typ.		
L-483IDT	GaAsP/GaP	617	red diffused	1.2	4	140°	T-1 3/4 (5mm) Cylindrical
L-483YDT	GaAsP/GaP	588	yellow diffused	1.2	3	140°	
L-483GDT	GaP	568	green diffused	1.5	3	140°	

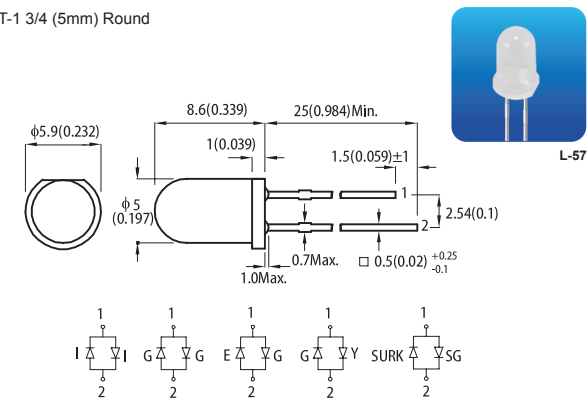
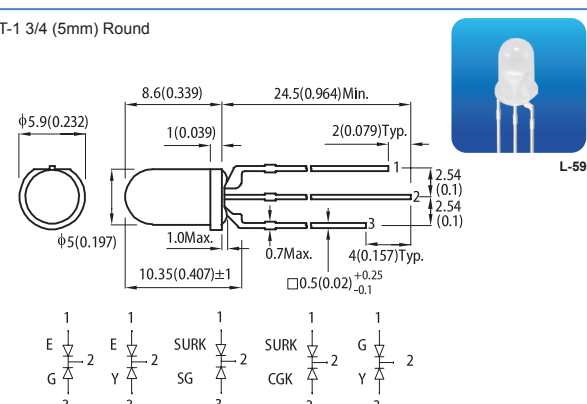
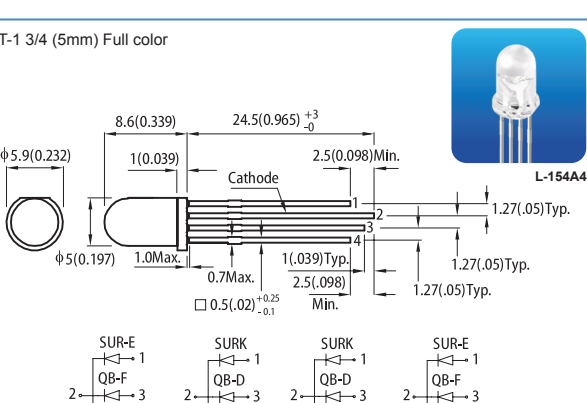
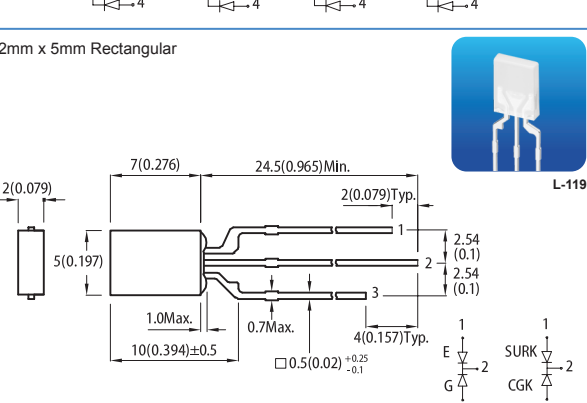
MULTI-COLOR LED

Part Number	Material	λ_D (nm)	Lens Type	Iv (mcd) @20mA		Viewing Angle 2 θ 1/2	Dimensions	
				Min.	Typ.			
L-937IID	GaAsP/GaP	617	red diffused	2	4	60°	T-1 (3mm) Round 	
	GaAsP/GaP	617		2	4			
L-937YYD	GaAsP/GaP	588	yellow diffused	3	9	60°		
	GaAsP/GaP	588		3	9			
L-937GGD	GaP	568	green diffused	4	10	60°		
	GaP	568		4	10			
L-937EGW	GaAsP/GaP	617	white diffused	4	10	60°		
	GaP	568		6	14			
L-937GYW	GaP	568	white diffused	6	14	60°		
	GaAsP/GaP	588		4	8			
L-115VEGW	GaAsP/GaP	617	white diffused	8	20	60°	T-1 (3mm) Round 	
	GaP	568		10	30			
L-115VEYW	GaAsP/GaP	617	white diffused	8	20	60°		
	GaAsP/GaP	588		10	24			
L-115VGYW	GaP	568	white diffused	10	30	60°		
	GaAsP/GaP	588		10	24			
L-3VEGW	GaAsP/GaP	617	white diffused	10	30	60°		T-1 (3mm) Round
	GaP	568		20	40			
L-3VGYW	GaP	568	white diffused	15	40	60°		
	GaAsP/GaP	588		10	15			
L-3VSURKCGKC	AlGaInP	630	water clear	100	400	30°		
	AlGaInP	570		200	400			

NOTES:



1. All dimensions are in millimeters(inches).
2. Tolerance is $\pm 0.25\text{mm}(0.01\text{'})$ unless otherwise noted.
3. Luminous intensity value is traceable to CIE127-2007 standards.

MULTI-COLOR LED



Part Number	Material	λ_D (nm)	Lens Type	Iv (mcd) @20mA		Viewing Angle 2 θ 1/2	Dimensions
				Min.	Typ.		
L-57IID	GaAsP/GaP	617	red diffused	4	12	30°	T-1 3/4 (5mm) Round 
	GaAsP/GaP	617		4	12		
L-57GGD	GaP	568	green diffused	8	20	30°	
	GaP	568		8	20		
L-57EGW	GaAsP/GaP	617	white diffused	6	14	30°	
	GaP	568		12	30		
L-57GYW	GaP	568	white diffused	12	30	30°	
	GaAsP/GaP	588		4	10		
L-57SURKSGW	AlGaInP	630	white diffused	80	150	30°	
	GaP	568		12	30		
L-59EGW	GaAsP/GaP	617	white diffused	20	40	30°	T-1 3/4 (5mm) Round 
L-59EYW	GaAsP/GaP	617	white diffused	20	40	30°	
L-59SURKSGW	AlGaInP	630	white diffused	200	400	30°	
	GaP	568		20	60		
L-59SURKCGKW	AlGaInP	630	white diffused	200	400	30°	
	AlGaInP	570		80	180		
L-59EGC	GaAsP/GaP	617	water clear	50	100	20°	
	GaP	568		50	120		
L-59GYC	GaP	568	water clear	50	120	20°	
	GaAsP/GaP	588		40	80		
L-59SURKSGC	AlGaInP	630	water clear	600	1200	20°	
	GaP	568		50	120		
L-154A4SUREQBFZGC	AlGaInP	630	water clear	200	400	50°	T-1 3/4 (5mm) Full color 
	InGaN	465		400	900		
	InGaN	525		1900	3600		
L-154A4SURKQBDZGW	AlGaInP	630	white diffused	100	200	60°	
	InGaN	465		120	300		
	InGaN	525		600	1300		
L-154A4SURKQBDZGW	AlGaInP	630	white diffused	100	200	60°	
	InGaN	465		120	300		
	AlGaInP	570		80	150		
L-154A4SUREQBFZGEW	AlGaInP	630	white diffused	120	250	60°	
	InGaN	465		300	500		
	InGaN	525		900	1700		
L-119EGWT	GaAsP/GaP	617	white diffused	4	10	140°	2mm x 5mm Rectangular 
	GaP	568		3	9		
L-119SURKCGKWT	AlGaInP	630	white diffused	30	55	140°	
	AlGaInP	570		15	30		

NOTES:
 1. All dimensions are in millimeters(inches).
 2. Tolerance is $\pm 0.25\text{mm}(0.01")$ unless otherwise noted.
 3. Luminous intensity value is traceable to CIE127-2007 standards.

RESISTOR LED

Part Number	Material	λ_D (nm)	Lens Type	Iv (mcd) V=5V *V=12V		Viewing Angle 2 θ 1/2	Dimensions
				Min.	Typ.		
L-7104ID-5V	GaAsP/GaP	617	red diffused	6	14	50°	<p>T-1 (3mm) Round</p>  <p>L-7104</p>
L-7104ID-12V	GaAsP/GaP	617	red diffused	*2	*5	50°	
L-7104GD-5V	GaP	568	green diffused	12	25	50°	
L-7104GD-12V	GaP	568	green diffused	6*	*15	50°	
L-7113ID-5V	GaAsP/GaP	617	red diffused	12	25	30°	<p>T-1 3/4 (5mm) Round</p>  <p>L-7113</p>
L-7113ID-12V	GaAsP/GaP	617	red diffused	*10	*20	30°	
L-7113GD-5V	GaP	568	green diffused	15	25	30°	
L-7113GD-12V	GaP	568	green diffused	*8	*20	30°	

LOW CURRENT LED

Part Number	Material	λ_D (nm)	Lens Type	Iv (mcd) @2mA		Viewing Angle 2 θ 1/2	Dimensions
				Min.	Typ.		
L-7104LID	GaAsP/GaP	617	red diffused	0.5	1.2	50°	<p>T-1 (3mm) Round</p>  <p>L-7104L</p>
L-7104LYD	GaAsP/GaP	588	yellow diffused	0.8	3	50°	
L-7104LGD	GaP	568	green diffused	1	3	50°	
L-7113LID	GaAsP/GaP	617	red diffused	0.7	2	30°	<p>T-1 3/4 (5mm) Round</p>  <p>L-7113L</p>
L-7113LYD	GaAsP/GaP	588	yellow diffused	1	3	30°	
L-7113LGD	GaP	568	green diffused	1.2	3	30°	

NOTES:

1. All dimensions are in millimeters(inches).
2. Tolerance is $\pm 0.25\text{mm}(0.01\text{'})$ unless otherwise noted.
3. Luminous intensity value is traceable to CIE127-2007 standards.