



CASAMBI
DRIVER  DMX FADER
DALI CONTROLLER
12VDC OUTPUT 48VDC
SPLITTER  DIMMER
DMX CHANNELS INPUT
VOLTAGE
LIGHTING ACCESSORIES
CONSTANT CURRENT
SEQUENCER DIMMER FADER
GATEWAY

THE LIGHTING
CONTROL COMPANY



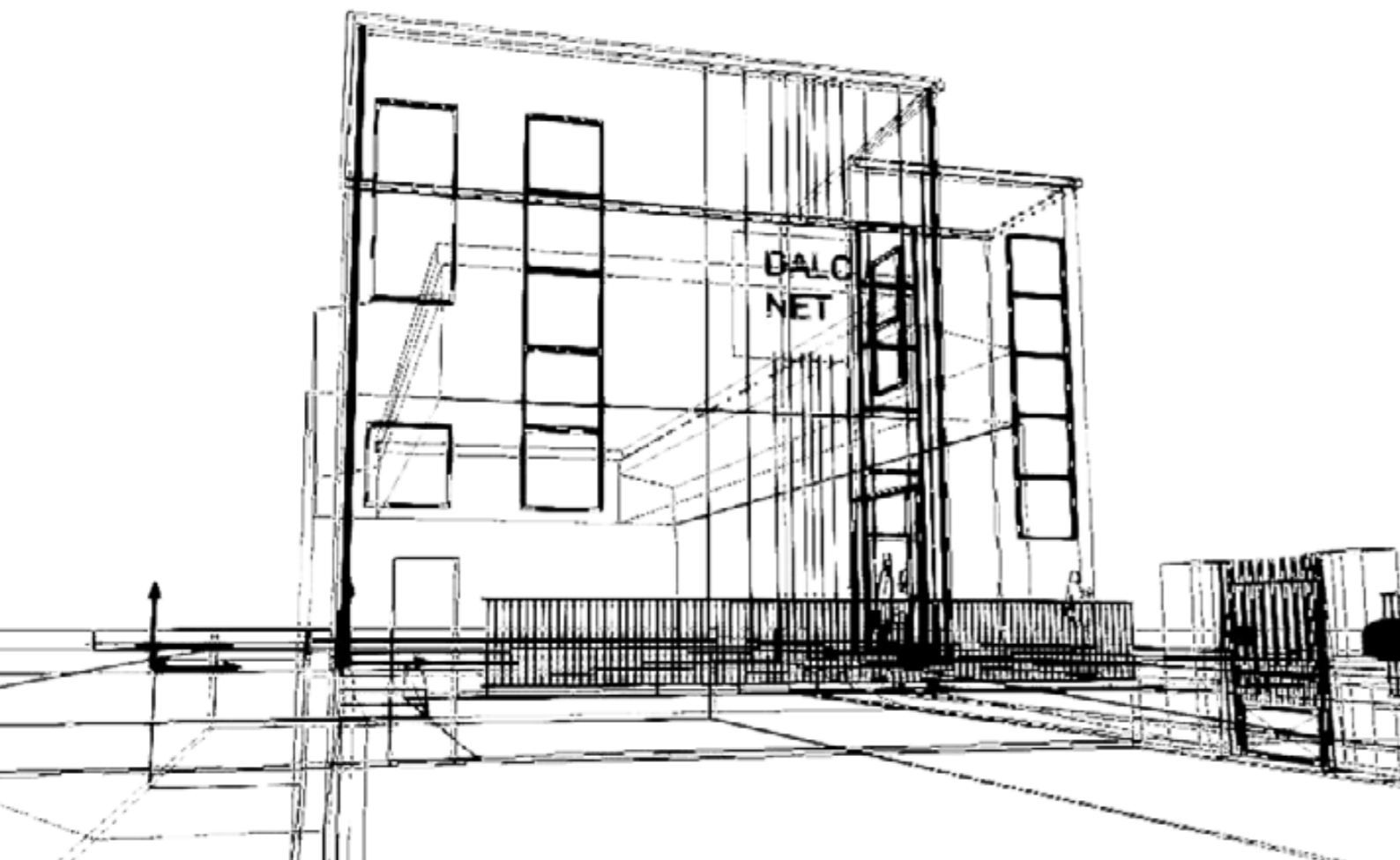
Dalcnet is a company involved in the research, development and design of innovative lighting solutions and electronic design.

It has partnerships with the main national and international manufacturers in the lighting and integration sector, making OEM and ODM products for the lighting engineering, industrial automation, nautical and building automation sectors.

It can offer customers the know-how that its engineering team has gained over the years, ensuring high-quality technical support in the design of control systems for lighting and LED modules.

Dalcnet manufactures and markets a wide range of dimmers and drivers that can control and manage complex lighting systems, interfacing with the most widely used control systems on the market, such as: **push-button, 0-10V, 1-10V, DALI, DMX512, DMX/RDM, ModBus, Ethernet, Artnet, Casambi, Bluedimmer.**

Over the years, the continuous R&D activity that has always distinguished **Dalcnet** on the market has led it to file patents to protect and add further value to the innovation of its products. Dalcnet gives value to ideas and brings innovation to the field of lighting.



MILLESTONE

2011

COMPANY FOUNDATION

Dalcnet was born as an engineering and prototyping company for the lighting sector.

2013

BRANDED PRODUCTS

Dalcnet evolved starting to produce internally and to create a catalog of products with its own brand.

2014

FOREIGN SALES NETWORK

Dalcnet started building its own foreign sales network, creating some important installations in Europe and the Middle East.

2016

DIGIMAX PARTNERSHIP

Dalcnet became part of the **DIGIMAX Group**, the Italian leading Distributor of high quality electronic components for the lighting sector, with an overall annual turnover of **50Million €**. Important collaborations with strategic partners, signing an important collaboration with **CASAMBI** and registration to **DALI**.

2020

NEW BUILDING

Dalcnet moves to a new plant of 1,200 sq. m. on 2 floors to significantly increase its production capacity, R&D department and dedicating at the same time a large space for communication and training activities related to its systems.

2021

NEW OWNERSHIP

Massimo Tirapelle as General Manager, together with the Digimax group, gives a new asset to the company, with the aim of becoming the Leaders in Europe as Led Dimmers manufacturers.



ANALOG INPUTS

pag.07



DALI

pag.15



DMX

pag.27



CASAMBI

pag.41



GATEWAYS AND CONVERTERS

pag.55



PIXEL TO PIXEL

pag.63



ANALOG INPUTS

Analog inputs such as N.O. push button, 0-10V, 1-10V and potentiometer are well known to manage basic simple systems. The dimmers can be easily wall mounted.



CONSTANT VOLTAGE

1 Output Channel
4 Output Channels

pag. 08



CONSTANT CURRENT

4 Output Channels

pag. 10



HIGH VOLTAGE OUTPUT 230V

1 Output Channel
4 Output Channels - DAI-RAIL

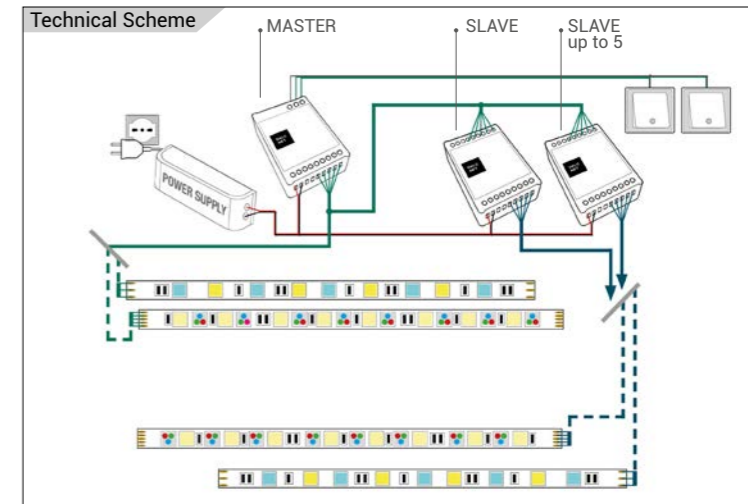
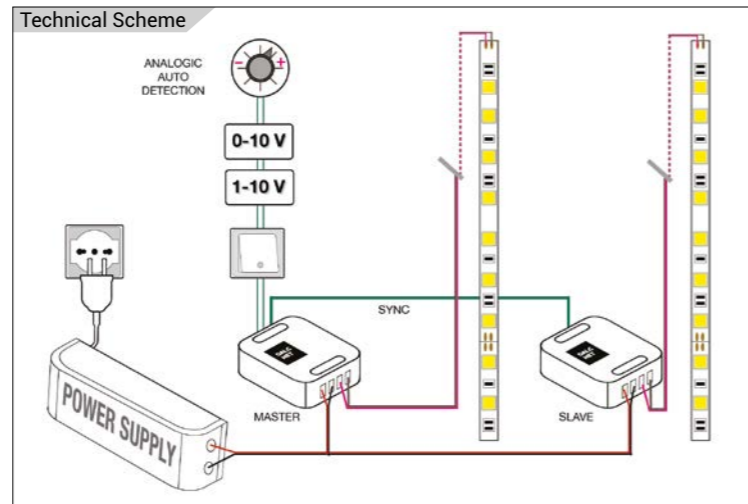
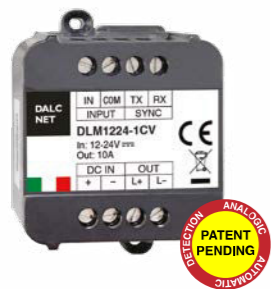
pag. 11

CONSTANT VOLTAGE

CONSTANT VOLTAGE

ANALOG INPUTS

ANALOG INPUTS



1 OUTPUT CHANNEL

4 OUTPUT CHANNELS

- FADER+DIMMER+DRIVER
- DC INPUT: 12-24-48 VDC OR 12-24 VDC
- MULTI INPUT – ANALOGIC AUTOMATIC DETECTION OF THE LOCAL COMMAND:
- NORMALLY OPEN PUSH-BUTTON
- ANALOG INPUT 0-10V
- ANALOG INPUT 1-10V
- POTENTIOMETER 10KOHM
- **PUSH MENU** – POSSIBILITY TO SET:
- MINIMUM DIMMING VALUE
- FADE IN

- FADE OUT
- VOLTAGE OUTPUTS FOR R-L-C LOADS, DLM1248-1CV VARIANT
- VOLTAGE OUTPUTS FOR R LOADS, DLM1224-1CV VARIANT
- **MEMORY FUNCTION**
- ADJUSTING THE BRIGHTNESS OF WHITE LIGHT OR MONOCHROMATIC COLOR
- SOFT START AND SOFT STOP
- SYNC FUNCTION - **MASTER/SLAVE**
- OPTIMIZED OUTPUT CURVE
- TYPICAL EFFICIENCY > 95%
- 100% FUNCTIONAL TEST – 5 YEARS WARRANTY

- SEQUENCER+FADER+DIMMER+DRIVER
- DC INPUT 12-24 VDC
- LOCAL COMMAND: N°2 N.O. PUSH BUTTONS CONTROL: ON/OFF, DIMMER, TUNABLE WHITE, RGB OR RGBW COLOR
- CURRENT OUTPUTS OR VOLTAGE OUTPUTS FOR LED STRIP

- TYPICAL EFFICIENCY > 95%
- SOFT START AND SOFT STOP
- OPTIMIZED OUTPUT CURVE
- RANGE
- 100% FUNCTIONAL TEST – 5 YEARS WARRANTY



Scan the QR code for the complete data sheet



CODE	INPUT VOLTAGE	OUTPUT CURRENT	POWER	CHANNELS	COMMAND	LED APPLICATION	DIMENSIONS (LxWxH)
DLM1224-1CV 	12V, 24V	1x10A	120W (12V), 240W (24V)	1	Button, 1-10V / 0-10V / potentiometer	Monochrome, Automatic Recognition of analog signals	45x58x19 mm
DLM1248-1CV 	12V, 24V, 48V	1 x 6.5A	78W (12V) 156W(24V) 312W(48V)	1	Button, 1-10V / 0-10V / potentiometer	Monochrome, Automatic Recognition of analog signals	45x58x25mm

SETTING THE MINIMUM DIMMER | IGNITION RAMP (FADE IN) | EXTINGUISHING RAMP (FADE OUT)



Scan the QR code for the complete data sheet

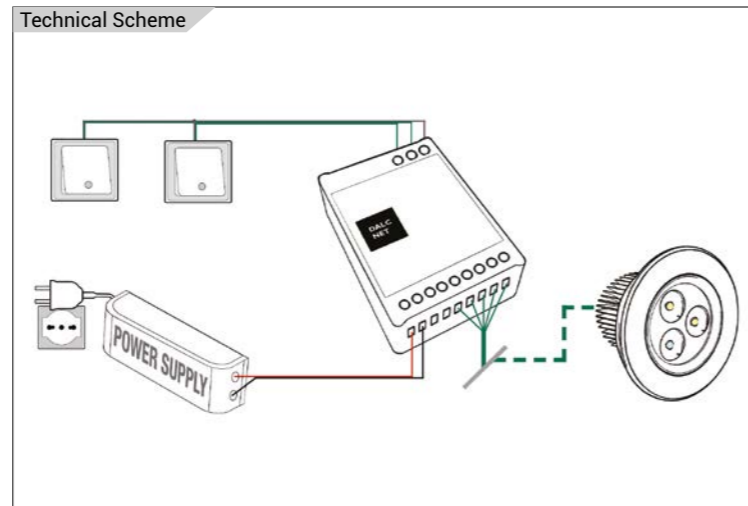


CODE	INPUT VOLTAGE	OUTPUT CURRENT	POWER	CHANNELS	COMMAND	LED APPLICATION	DIMENSIONS (LxWxH)
DLX1224-4CV 	12V, 24V	4 x 5A - Max 10A	120W (12V), 240W (24V)	4	2 Button	Monochrome, TW, RGB, RGBW	106x59x36 mm
DLA1224-4CV 	12V, 24V	4 x 5A - Max 10A	120W (12V), 240W(24V)	4	D-PWM	Monochrome, RGB, RGBW	106x59x36 mm

CONSTANT CURRENT

HIGH VOLTAGE OUTPUT 230V

ANALOG INPUTS



4 OUTPUT CHANNELS

- SEQUENCER+FADER+DIMMER+DRIVER
- DC INPUT 12-24 VDC
- LOCAL COMMAND: N°2 N.O. PUSH BUTTONS
- CONTROL: ON/OFF, DIMMER, TUNABLE WHITE, RGB OR RGBW COLOR
- TYPICAL EFFICIENCY > 95%
- SOFT START AND SOFT STOP
- OPTIMIZED OUTPUT CURVE
- EXTENDED TEMPERATURE RANGE
- 100% FUNCTIONAL TEST – 5 YEARS WARRANTY

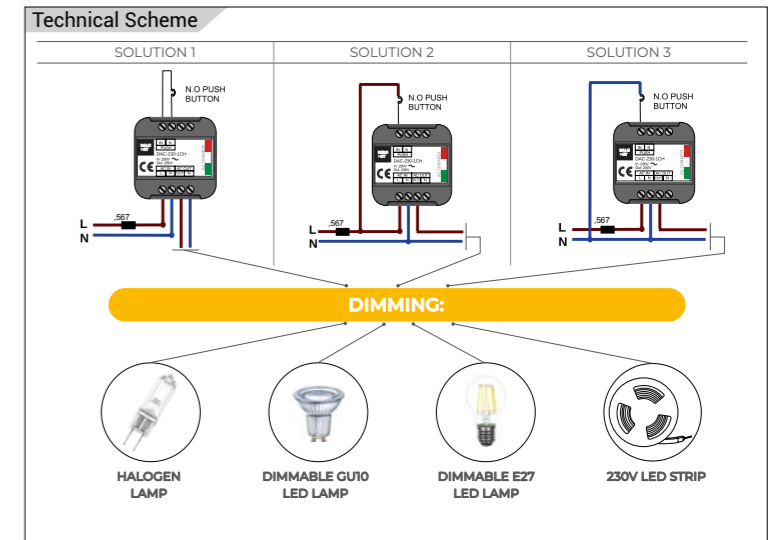


Scan the QR code for the complete data sheet



CODE	INPUT VOLTAGE	OUT. CURRENT	POWER	CHANNELS	COMMAND	LED APPLICATION	DIMENSIONS (LxWxH)
DLX1224-4CC350	12-24V	350mA	33,6W	4	N.O. push button	Monochrome, TW, RGB, RGBW	88x54x26 mm
DLX1224-4CC500	12-24V	500mA	48W	4	N.O. push button	Monochrome, TW, RGB, RGBW	88x54x26 mm

ANALOG INPUTS



1 OUTPUT CHANNEL

- DIMMER + FADER
- AC INPUT: 230V AC
- COMMAND: N.O. PUSH BUTTON
- 1 OUTPUT AT 200W MAX
- ADJUSTING THE BRIGHTNESS OF WHITE LIGHT
- OUTPUT CHANNEL FOR R-C LOADS
- SINGLE CHANNEL DIMMER OUTPUT PHASE-CUT (TRAILING EDGE)
- FOR DIMMABLE LED LAMPS AND DIMMABLE HALOGEN LAMPS
- TYPICAL EFFICIENCY > 95%
- MEMORY FUNCTION
- PUSH MENU:
- ADJUSTABLE MINIMUM DIMMING VALUE
- ADJUSTABLE POWER-ON AND POWER-OFF RAMP
- OPTIMIZED OUTPUT CURVE
- SOFT START AND SOFT STOP
- 100% >FUNCTIONAL TEST – 5 YEARS WARRANTY



Scan the QR code for the complete data sheet



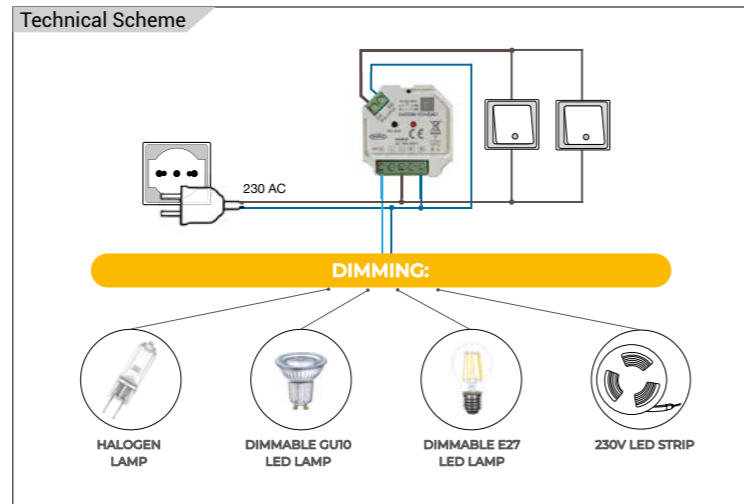
CODE	INPUT VOLTAGE	POWER	CHANNELS	COMMAND	LED APPLICATION	DIMENSIONS (LxWxH)
DAC230-1CH	230Vac	200W	1	Button	Halogen lamp Led lamp dimmable, Strip led 230V	45x58x25 mm

HIGH VOLTAGE OUTPUT 230V

HIGH VOLTAGE OUTPUT 230V

ANALOG INPUTS

ANALOG INPUTS



1 OUTPUT CHANNEL

- AC DIMMER
- AC INPUT: 230V AC
- COMMAND BUS: DALI
- LOCAL COMMAND OPTION: N.O. PUSH BUTTON
- 1 OUTPUT AT 400W MAX
- OUTPUT CHANNEL FOR R-C LOADS
- ADJUSTABLE BRIGHTNESS

- SINGLE CHANNEL DIMMER OUTPUT PHASE-CUT (TRAILING EDGE)
- COMPATIBLE WITH DIMMABLE LED LAMPS AND HALOGENS
- TYPICAL EFFICIENCY > 95%
- MEMORY FUNCTION
- ADJUSTABLE MINIMUM DIMMING VALUE
- OPTIMIZED OUTPUT CURVE
- SOFT START AND SOFT STOP

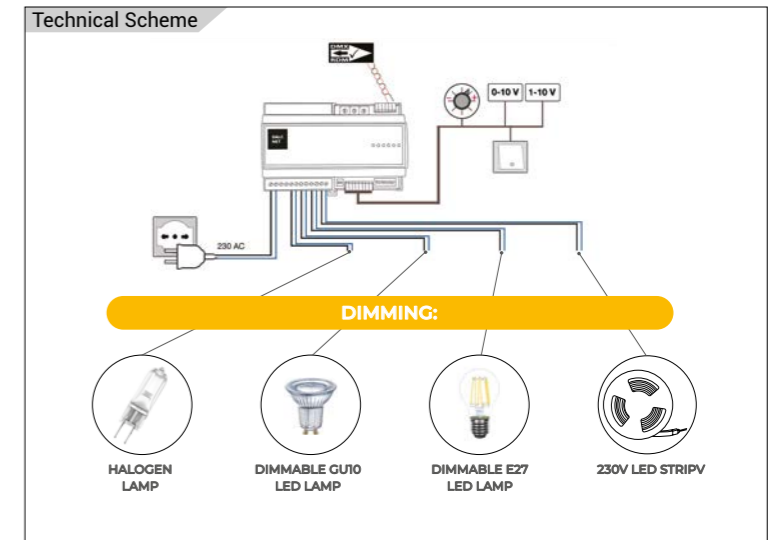


Scan the QR code for the complete data sheet



CODE	INPUT VOLTAGE	POWER	CHANNELS	COMMAND	LED APPLICATION	DIMENSIONS (LxWxH)
DAC230-1CH-DALI	230Vac	1 x 400W max*	1	Button / DALI	Halogen lamp Dimmable led lamp E07 and GU10, Strip led 230V	45.5x45x20.3 mm

*depending on load type.



4 OUTPUT CHANNELS - DAI-RAIL

- AC DIMMER + FADER
- AC INPUT: 230V AC
- COMMAND: DMX
- N.O. PUSH BUTTON
- ANALOG SIGNAL 0/1-10V AND POTENTIOMETER 10KOHM
- COMMAND BUS: DMX
- OUTPUT CHANNEL FOR R - C LOADS
- ADJUSTING THE BRIGHTNESS OF WHITE LIGHT

- FOUR CHANNEL DIMMER OUTPUT PHASE-CUT (TRAILING EDGE)
- COMPATIBLE WITH DIMMABLE LED LAMPS AND HALOGENS
- TYPICAL EFFICIENCY > 95%
- ADJUSTABLE MINIMUM DIMMING VALUE
- SOFT START AND SOFT STOP
- OPTIMIZED OUTPUT CURVE
- MEMORY FUNCTION
- 100% FUNCTIONAL TEST - 5 YEARS WARRANTY



Scan the QR code for the complete data sheet



CODE	INPUT VOLTAGE	POWER	CHANNELS	COMMAND	LED APPLICATION	DIMENSIONS (LxWxH)
DAC230-4CH-DMX	230Vac	4 x 200W/ch max	4	Button / DMX	Halogen lamp Dimmable led lamp E07 and GU10, Strip led 230V	143x91x62 mm



DALI PRODUCTS RANGE

Digital Addressable Lighting Interface, commonly called DALI, is a bus field communication protocol created for lighting digital control. It was developed as an open standard, universal, versatile and easy to use, and not expensive.

DALI standard allows to control up to 64 electronic DALI drivers, which can be divided into 16 groups.

The communication is bi-directional, i.e. each device can send a feedback on lamps status. Usual application for this type of bus is the control of white and Tunable White lights, both in residential and building installations.



DALI POWER SUPPLY

pag. 16



CONSTANT VOLTAGE

1 Output Channel
4 Output Channels
1/4 Output Channels - DIN-RAIL

pag. 17



CONSTANT CURRENT

1 Output Channel
4 Output Channels
4 Output Channels - DIN-RAIL

pag. 20

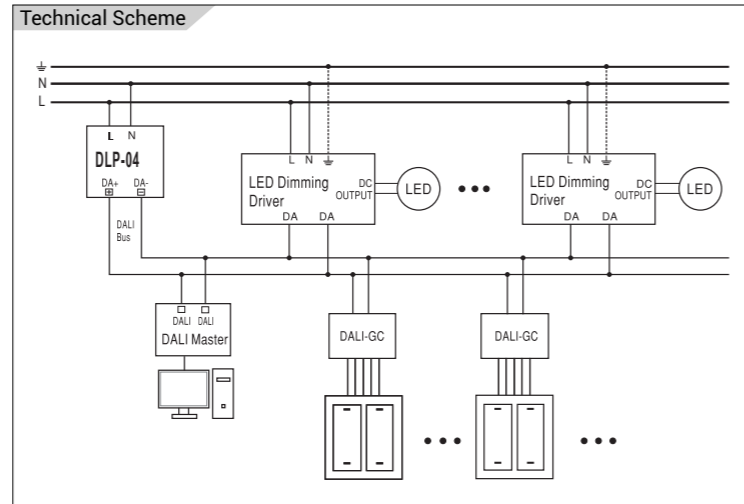


HIGH VOLTAGE OUTPUT 230V

1 Output Channel
1/4 Output Channels - DIN-RAIL

pag. 23

DALI POWER SUPPLY



DALI POWER SUPPLY

- COMPACT SIZE WITH 2SU(35MM) WIDTH(TYPE R)
- UNIVERSAL AC INPUT / FULL RANGE
- WITHSTAND 300VAC SURGE INPUT FOR 5 SECOND
- ISOLATION CLASS II
- NO LOAD POWER CONSUMPTION<0.5W(TYPE L)
- PROTECTIONS: SHORT CIRCUIT / OVER VOLTAGE
- COOLING BY FREE AIR CONVECTION
- 3 COLOR LED FOR STATUS INDICATOR(TYPE R)
- INSTALLED ON DIN RAIL TS-35/7.5 OR 15(TYPE R)
- 100% FULL LOAD BURN-IN TEST
- 3 YEARS WARRANTY

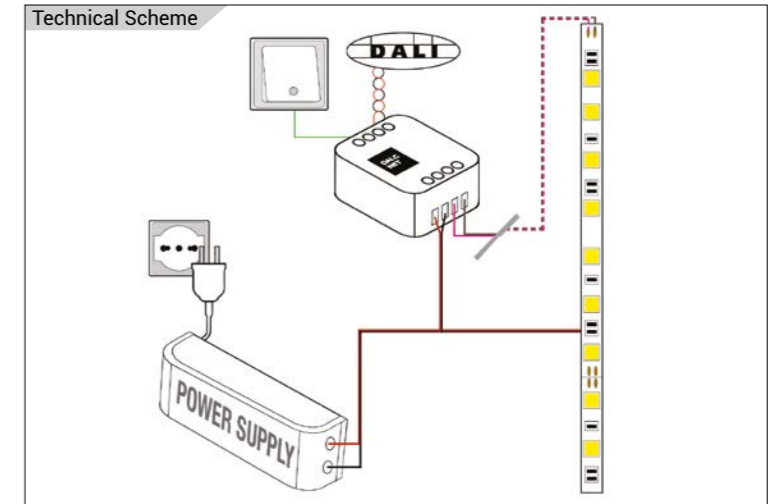


Scan the QR code for the complete data sheet



CODE	VOLTAGE ENTRANCE	VOLTAGE OUTPUT	CURRENT	DIMENSIONS (LxWxH)
DLP-04R	90-264Vac	16Vdc	240mA	35x90x54.5 mm

CONSTANT VOLTAGE



1 OUTPUT CHANNEL

- BUS+FADER+DIMMER+DRIVER
- DC INPUT 12-24-48 VDC OR 12-24 VDC
- BUS COMMAND: DALI
- MULTI INPUT – ANALOGIC AUTOMATIC DETECTION OF THE LOCAL COMMAND:
 - NORMALLY OPEN PUSH BUTTON - 0-10V
 - 1-10V
 - POTENTIOMETER 10KOHM
- PUSH MENU' – POSSIBILITY TO SET:
 - MINIMUM DIMMING VALUE
 - FADE IN
 - FADE OUT
- VOLTAGE OUTPUTS FOR R-L-C LOADS, DLM1248-1CV-DALI
- VOLTAGE OUTPUTS FOR R LOADS DLM1224-1CV DALI
- MEMORY FUNCTION
- ADJUSTING THE BRIGHTNESS OF WHITE LIGHT OR MONOCHROMATIC COLOR
- SOFT START AND SOFT STOP
- OPTIMIZED OUTPUT CURVE
- TYPICAL EFFICIENCY > 95%
- 100% FUNCTIONAL TEST –5 YEARS WARRANTY



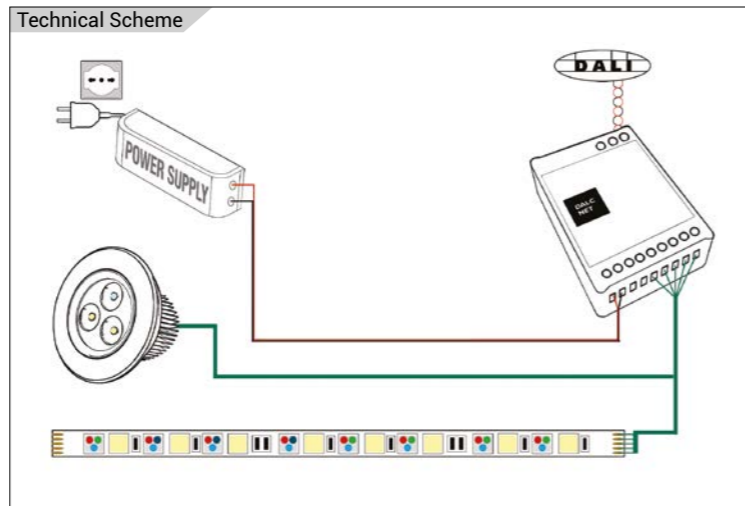
Scan the QR code for the complete data sheet



CODE	INPUT VOLTAGE	OUTPUT CURRENT	POWER	CHANNELS	COMMAND	SOURCE	DIMENSIONS (LxWxH)
DLM1224-1CV-DALI	12V, 24V	1x 10A	120W (12V), 240W (24V)	1	DALI, Button, 1-10V /0-10V/ potentiometer	Monochrome, Automatic Recognition of a Signal Analog	45x58x19 mm
DLM1248-1CV-DALI	12V, 24V, 48V	1x6.5A	78W(12V) 156W(24V) 312W(48V)	1	DALI, Button, 1-10V /0-10V/ potentiometer	Monochrome, Automatic Recognition of a Signal Analog	45x58x25mm

SETTING THE MINIMUM DIMMER | IGNITION RAMP (FADE IN) | EXTINGUISHING RAMP (FADE OUT)

CONSTANT VOLTAGE



4 OUTPUT CHANNELS

- BUS+SEQUENCER+FADER+DIMMER+DRIVER
- DC INPUT 12-24 VDC
- BUS COMMAND: DALI
- LOCAL COMMAND: STAND ALONE FUNCTION (DIP SWITCH SETTINGS)
- CONTROL: RGB OR RGBW COLOR

- CURRENT OUTPUTS OR VOLTAGE OUTPUTS FOR LED STRIP
- TYPICAL EFFICIENCY > 95%
- SOFT START AND SOFT STOP
- OPTIMIZED OUTPUT CURVE
- 100% TEST FUNCTIONAL – 2 YEARS WARRANTY

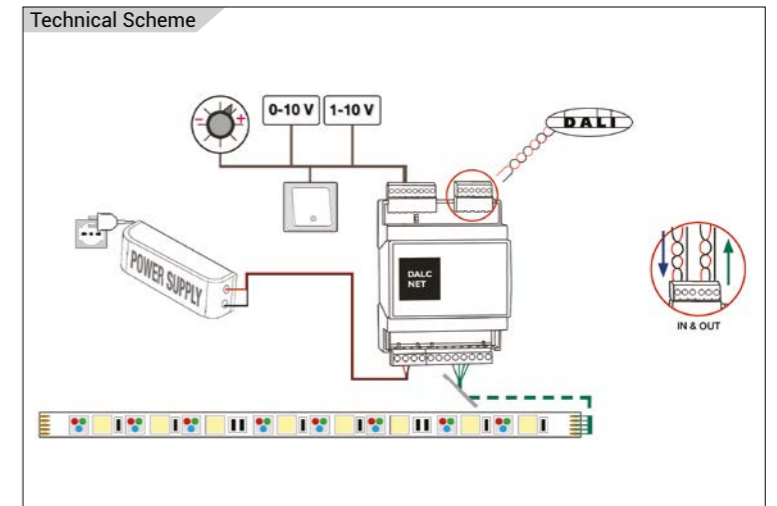


Scan the QR code for the complete data sheet



CODE	INPUT VOLTAGE	OUTPUT CURRENT	POWER	CHANNELS	COMMAND	SOURCE	DIMENSIONS (LxWxH)
DLX1224-4CV-DALI	12V, 24V	4 x 5A Max 10A	120W (12V), 240W (24V)	4	DALI	Monochrome, TW, RGB, RGBW	88x54x26 mm

CONSTANT VOLTAGE



1/4 OUTPUT CHANNELS

- OUTPUT: 1/4 X CHANNELS
- BUS+FADER+DIMMER+DRIVER
- INPUT: DC 12/24/48 VDC
- BUS COMMAND: DALI
- LOCAL COMMAND: N.O. PUSH BUTTON (WITH OR WITHOUT MEMORY), 0-10V, 1-10V, POTENTIOMETER
- ADJUSTING THE BRIGHTNESS
- VOLTAGE OUTPUTS FOR R-L-C LOADS
- TYPICAL EFFICIENCY > 95%
- ADJUSTING THE BRIGHTNESS DOWN TO COMPLETED OFF (DIM TO DARK)

- MINIMUM BRIGHTNESS LEVEL: 0.1% (1% IN PUSH)
- D-PWM MODULATION
- ADJUSTING D-PWM FREQUENCY: 300 / 600 / 1200 HZ
- ADJUSTING OUTPUT CURVE: LINEAR / QUADRATIC / EXPONENTIAL
- SOFT START AND SOFT STOP
- OPTIMIZED OUTPUT CURVE
- MASTER / SLAVE FUNCTION (DMX VARIANT)
- EXTENDED TEMPERATURE RANGE
- 100% FUNCTIONAL TEST – 5 YEARS WARRANTY

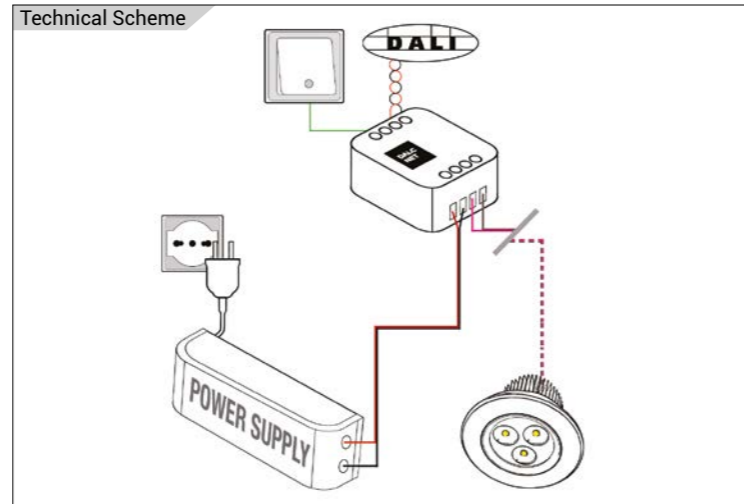


Scan the QR code for the complete data sheet



CODE	INPUT VOLTAGE	OUTPUT CURRENT	POWER	CHANNELS	COMMAND	SOURCE	DIMENSIONS (LxWxH)
DLD1248-1CV-DALI	12V, 24V, 48V	1 x 8A	96W (12V), 192W (24V), 384W (48V)	1	Button + DALI	Monochrome	45x58x19 mm
DLD1248-4CV-DALI	12V, 24V, 48V	1 x 20A 4 x 5A	240W (12V), 480W (24V), 960W (48V)	4	DALI, 4 Buttons, 1-10V/0-10V, potentiometer	Monochrome, TW, RGB, RGBW	71x91x62 mm

CONSTANT CURRENT



1 OUTPUT CHANNEL

- BUS+FADER+DIMMER+DRIVER
- DC INPUT: 12-24-48 VDC
- REMOTE COMMAND OPTIONS: DALI
- LOCAL COMMAND OPTIONS:
NORMALLY OPEN PUSH-BUTTON
- ADJUSTING THE BRIGHTNESS OF WHITE LIGHT
- CURRENT OUTPUTS OR VOLTAGE OUTPUTS FOR R-L-C LOADS

- TYPICAL EFFICIENCY > 95%
- ADJUSTING THE BRIGHTNESS DOWN TO COMPLETED OFF
- SOFT START AND SOFT STOP
- OPTIMIZED OUTPUT CURVE
- EXTENDED TEMPERATURE RANGE
- 100% FUNCTIONAL TEST – 5 YEARS WARRANTY

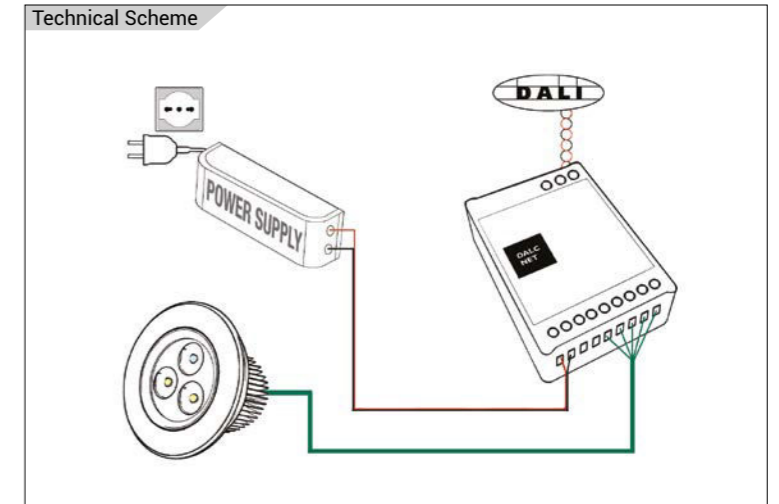


Scan the QR code for the complete data sheet



CODE	INPUT VOLTAGE	OUTPUT CURRENT	MAX POWER	CHANNELS	COMMAND	SOURCE	DIMENSIONS (LxWxH)
DLB1248-1CC350-DALI	12V, 24V, 48V	350mA	16,8W	1	DALI / Button	Monochrome	45x58x25 mm
DLB1248-1CC500-DALI	12V, 24V, 48V	500mA	24W	1	DALI / Button	Monochrome	45x58x25 mm
DLB1248-1CC700-DALI	12V, 24V, 48V	700mA	33,6W	1	DALI / Button	Monochrome	45x58x25 mm
DLB1248-1CC950-DALI	12V, 24V, 48V	950mA	45,6W	1	DALI / Button	Monochrome	45x58x25 mm

CONSTANT CURRENT



4 OUTPUT CHANNELS

- BUS+SEQUENCER+FADER+DIMMER+DRIVER
- DC INPUT 12-24 VDC
- BUS COMMAND: DALI
- LOCAL COMMAND: STAND ALONE FUNCTION (DIP SWITCH SETTINGS)
- CONTROL: RGB OR RGBW COLOR
- CURRENT OUTPUTS OR VOLTAGE OUTPUTS FOR LED STRIP

- TYPICAL EFFICIENCY > 95%
- ADJUSTING THE BRIGHTNESS DOWN TO COMPLETED OFF
- SOFT START AND SOFT STOP
- OPTIMIZED OUTPUT CURVE
- EXTENDED TEMPERATURE RANGE
- 100% TEST FUNCTIONAL – 2 YEARS WARRANTY

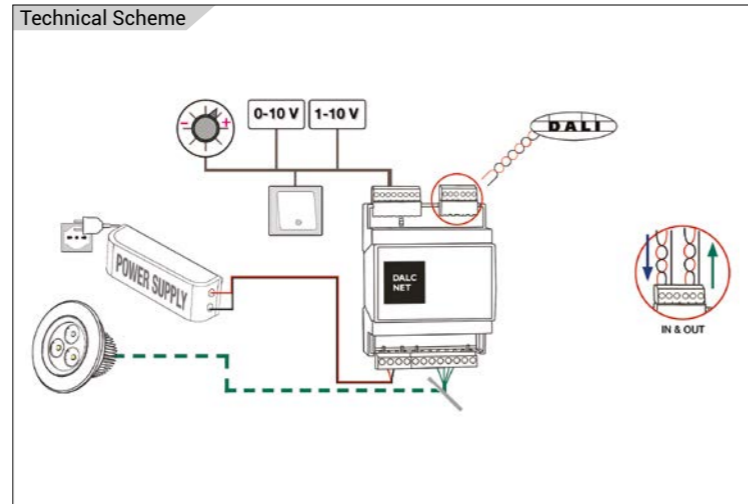


Scan the QR code for the complete data sheet



CODE	INPUT VOLTAGE	OUTPUT CURRENT	MAX POWER	CHANNELS	COMMAND	SOURCE	DIMENSIONS (LxWxH)
DLX1224-4CC350-DALI	12V, 24V	350mA	33,6W	4	DALI	Monochrome, TW, RGB, RGBW	88x54x26 mm
DLX1224-4CC500-DALI	12V, 24V	500mA	48W	4	DALI	Monochrome, TW, RGB, RGBW	88x54x26 mm

CONSTANT CURRENT



4 OUTPUT CHANNELS - DAI-RAIL

- OUTPUTS: 4 X CHANNELS
- BUS+SEQUENCER+FADER+DIMMER+DRIVER
- INPUT: DC 12/24/48 VDC
- BUS COMMAND: DALI
- LOCAL COMMAND: 4X N.O. PUSH BUTTON (WITH OR WITHOUT MEMORY), 0-10V, 1-10V AND POTENTIOMETER 10KOHM
- CONTROLS: DIMMER, DIM TO WARM, TUNABLE WHITE, RGB, RGBW
- VOLTAGE OUTPUTS AND CURRENT OUTPUTS FOR R-L-C LOADS
- TYPICAL EFFICIENCY > 95%
- ADJUSTING THE BRIGHTNESS UP TO COMPLETED OFF (DIM TO DARK)

- MINIMUM BRIGHTNESS LEVEL: 0.1% (1% IN PUSH)
- D-PWM MODULATION
- ADJUSTING D-PWM FREQUENCY: 300 / 600 / 1200 HZ
- ADJUSTING OUTPUT CURVE: LINEAR / QUADRATIC / EXPONENTIAL
- SOFT START AND SOFT STOP
- SOFT DIMMING REGULATION
- MASTER / SLAVE FUNCTION (DMX VARIANT)
- EXTENDED TEMPERATURE RANGE
- 100% FUNCTIONAL TEST – 5 YEARS WARRANTY

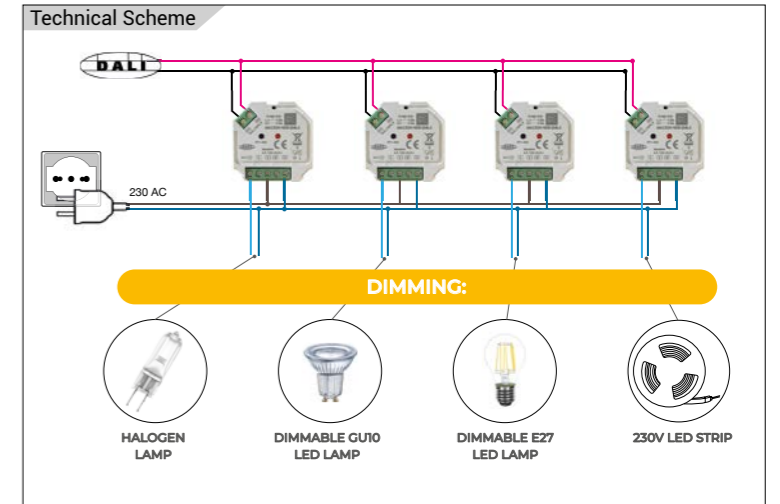


Scan the QR code for the complete data sheet



CODE	INPUT VOLTAGE	OUTPUT CURRENT	MAX POWER	CHANNELS	COMMAND	SOURCE	DIMENSIONS (LxWxH)
DLD1248-4CC-DALI	12V, 24V, 48V	from 250mA to 700mA	48W 134W	4	Button + DALI +1-10V / 0-10V/ potentiometer	Monochrome, TW, RGB, RGBW	124x85x71 mm

HIGH VOLTAGE OUTPUT 230V



1 OUTPUT CHANNEL

- BUS+SEQUENCER+FADER+DIMMER+DRIVER
- DC INPUT 12-24 VDC
- BUS COMMAND: DALI
- LOCAL COMMAND: STAND ALONE FUNCTION (DIP SWITCH SETTINGS)
- CONTROL: RGB OR RGBW COLOR
- CURRENT OUTPUTS OR VOLTAGE OUTPUTS FOR LED STRIP

- TYPICAL EFFICIENCY > 95%
- ADJUSTING THE BRIGHTNESS DOWN TO COMPLETED OFF
- SOFT START AND SOFT STOP
- OPTIMIZED OUTPUT CURVE
- EXTENDED TEMPERATURE RANGE
- 100% TEST FUNCTIONAL – 2 YEARS WARRANTY

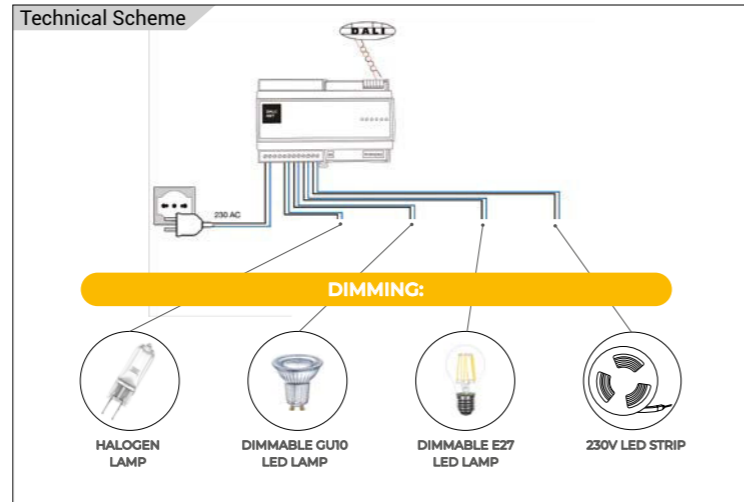


Scan the QR code for the complete data sheet



CODE	INPUT VOLTAGE	POWER	CHANNELS	COMMAND	SOURCE	DIMENSIONS (LxWxH)
DAC230-1CH-DALI	230Vac	1 x 400W max	1	Button / DALI	Halogen lamp Dimmable led lamp, Strip led 230V	45.5x45x20.3 mm

HIGH VOLTAGE OUTPUT 230V



4 OUTPUT CHANNELS - DAI-RAIL

- AC DIMMER + FADER
- AC INPUT: 230V AC
- COMMAND BUS: DALI
- COMMAND BUS: DALI
- OUTPUT CHANNEL FOR R – C LOADS
- ADJUSTING THE BRIGHTNESS OF WHITE LIGHT
- FOUR CHANNEL DIMMER OUTPUT PHASE-CUT (TRAILING EDGE)
- FOR LED LAMP

- FOR DIMMABLE LED LAMPS AND HALOGENS
- TYPICAL EFFICIENCY > 95%
- ADJUSTABLE MINIMUM DIMMING VALUE
- SOFT START AND SOFT STOP
- OPTIMIZED OUTPUT CURVE
- MEMORY FUNCTION
- 100% FUNCTIONAL TEST – 5 YEARS WARRANTY

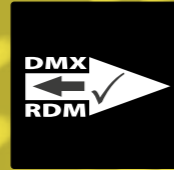


Scan the QR code for the complete data sheet



CODE	INPUT VOLTAGE	POWER	CHANNELS	COMMAND	SOURCE	DIMENSIONS (LxWxH)
DAC230-4CH-DALI	230Vac	4 x 200W/ ch max	4	DALI	Halogen lamp Dimmable led lamp, Strip led 230V	143x91x62 mm





DMX PRODUCTS RANGE

Digital MultipleX, the DMX protocol, is a bus protocol for digital data transmission that is based on RS-485 standard to control up to 512 devices. The complete name DMX512 depends really on the number of controllable devices.

The cabling must be done with a twisted cable of 110-120Ohm impedance, the connector is XLR 3 or 5 poles and the line must be closed by a 120Ohm (0.25W) resistor. The DMX protocol was born for entertainment applications.

There's an extension of the DMX protocol called RDM (Remote Device Management) that allows the bi-directional control of the devices connected to the bus, adding the possibility to receive information from the field. One of the advantages introduced by this new standard is the chance of setting through a PC/controller, the DMX addresses used by the devices on the network.



CONSTANT VOLTAGE

1 Output Channel
4 Output Channels
1,4 Output Channels - DIN-RAIL

pag. 28



CONSTANT CURRENT

1 Output Channel
4 Output Channels
4 Output Channels - DIN-RAIL

pag. 31



HIGH VOLTAGE OUTPUT 230V

4 Output Channels - DIN-RAIL

pag. 34



SPLITTER

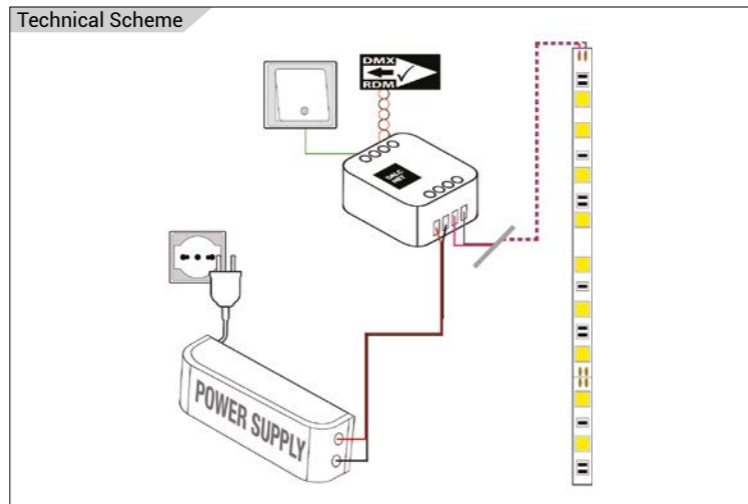
pag. 35



DMX CONTROLLERS

pag. 36

CONSTANT VOLTAGE



1 OUTPUT CHANNEL

- BUS+FADER+DIMMER+DRIVER
- DC INPUT 12-24-48 VDC OR 12-24 VDC
- BUS COMMAND: DMX
- MULTI INPUT – ANALOGIC AUTOMATIC DETECTION OF THE LOCAL COMMAND:
 - NORMALLY OPEN PUSH BUTTON
 - 0-10V
 - 1-10V
 - POTENTIOMETER 10KOHM
- PUSH MENU' – POSSIBILITY TO SET:
 - MINIMUM DIMMING VALUE
 - FADE IN
 - FADE OUT
- VOLTAGE OUTPUTS FOR R-L-C LOADS, DLM1248-1CV-DALI OR DMX
- VOLTAGE OUTPUTS FOR R LOADS DLM1224-1CV DALI OR DMX
- MEMORY FUNCTION
- ADJUSTING THE BRIGHTNESS OF WHITE LIGHT OR MONOCHROMATIC COLOR
- ADJUSTING THE BRIGHTNESS UP TO COMPLETED OFF
- SOFT START AND SOFT STOP
- OPTIMIZED OUTPUT CURVE
- TYPICAL EFFICIENCY > 95%
- 100% FUNCTIONAL TEST – 5 YEARS WARRANTY

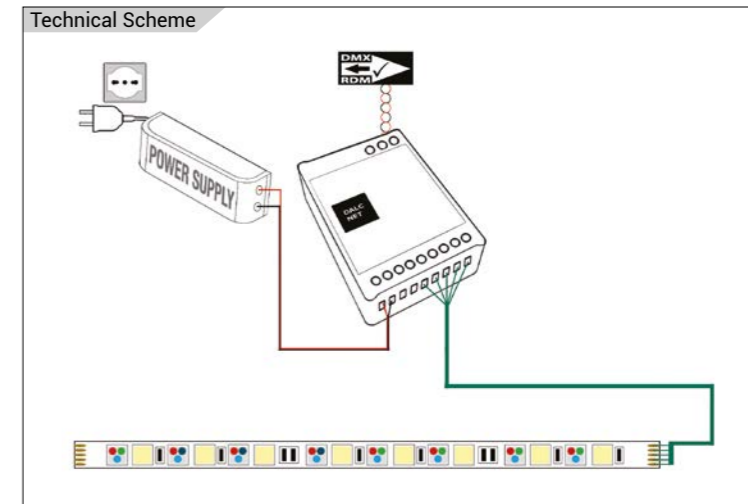


Scan the QR code for the complete data sheet



CODE	INPUT VOLTAGE	CURRENT OUTPUT	MAX POWER	CHANNELS	COMMAND	SOURCE	DIMENSIONS (LxWxH)
DLM1224-1CV-DMX	12V, 24V	1x 10A	120W (12V) 240W (24V)	1	DMX, Button, 1-10V /0-10V/ potentiometer	Monochrome, Automatic Recognition of a Signal Analog	45x58x19 mm
DLM1248-1CV-DMX	12V, 24V, 48V	1x 6.5A	78W(12V) 156W(24V) 312W(48V)	1	DMX, Button, 1-10V /0-10V/ potentiometer	Monochrome, Automatic Recognition of a Signal Analog	45x58x25 mm

CONSTANT VOLTAGE



4 OUTPUT CHANNEL

- BUS+SEQUENCER+FADER+DIMMER+DRIVER
- DC INPUT 12-24 VDC
- BUS COMMAND: DMX
- LOCAL COMMAND: STAND ALONE FUNCTION (DIP SWITCH SETTINGS)
- CONTROL: RGB OR RGBW COLOR
- CURRENT OUTPUTS OR VOLTAGE OUTPUTS FOR LED STRIP
- TYPICAL EFFICIENCY > 95%
- ADJUSTING THE BRIGHTNESS DOWN TO COMPLETED OFF
- SOFT START AND SOFT STOP
- OPTIMIZED OUTPUT CURVE
- 100% TEST FUNCTIONAL – 2 YEARS WARRANTY



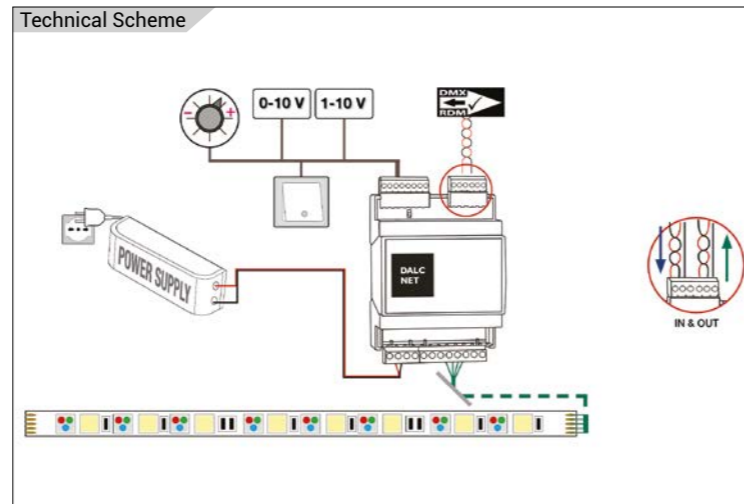
Scan the QR code for the complete data sheet



CODE	INPUT VOLTAGE	RANGE	POWER	CHANNELS	COMMAND	SOURCE	DIMENSIONS (LxWxH)
DLX1224-4CV-DMX	12V, 24V	4 x 5A - Max 10A	120W (12V), 240W (24V)	4	DMX	Monochrome, TW, RGB, RGBW	88x54x26 mm

SETTING THE MINIMUM DIMMER | IGNITION RAMP (FADE IN) | EXTINGUISHING RAMP (FADE OUT)

CONSTANT VOLTAGE



1,4 OUTPUT CHANNELS - DIN-RAIL

- OUTPUT: 1 X CHANNEL
- BUS+FADER+DIMMER+DRIVER
- INPUT: DC 12/24/48 VDC
- BUS COMMAND: DMX
- LOCAL COMMAND: N.O. PUSH BUTTON (WITH OR WITHOUT MEMORY), 0-10V, 1-10V, POTENTIOMETER
- ADJUSTABLE BRIGHTNESS LEVEL
- VOLTAGE OUTPUTS FOR R-L-C LOADS
- TYPICAL EFFICIENCY > 95%
- ADJUSTING THE BRIGHTNESS DOWN TO COMPLETED OFF (DIM TO DARK)
- MINIMUM BRIGHTNESS LEVEL: 0.1% (1% IN PUSH)
- D-PWM MODULATION
- ADJUSTING D-PWM FREQUENCY: 300 / 600 / 1200 HZ
- ADJUSTING OUTPUT CURVE: LINEAR / QUADRATIC / EXPONENTIAL
- SOFT START AND SOFT STOP
- OPTIMIZED OUTPUT CURVE
- MASTER / SLAVE FUNCTION (DMX VARIANT)
- EXTENDED TEMPERATURE RANGE
- 100% FUNCTIONAL TEST – 5 YEARS WARRANTY

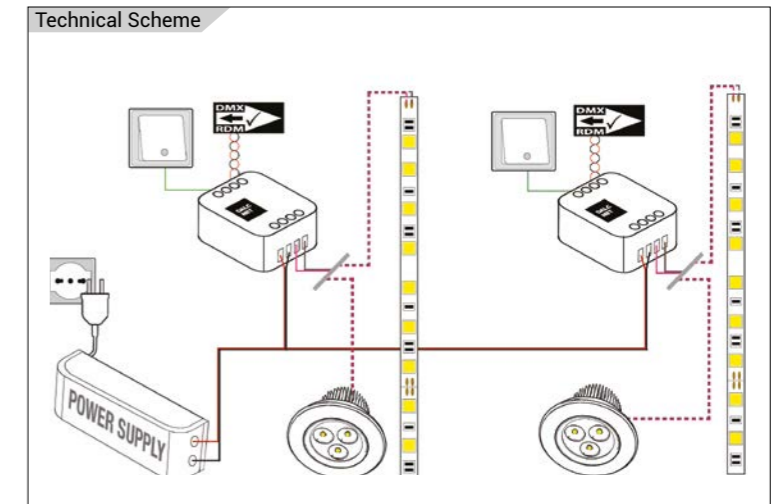


Scan the QR code for the complete data sheet



CODE	INPUT VOLTAGE	OUTPUT CURRENT	MAX POWER	CHANNELS	COMMAND	SOURCE	DIMENSIONS (LxWxH)
DLD1248-1CV-DMX	12V, 24V, 48V	1 x 8A	96W (12V), 192W (24V), 384W (48V)	1	Button + DMX	Monochrome	45x58x19 mm
DLD1248-4CV-DMX	12V, 24V, 48V	1 x 20A 4 x 5A	240W (12V), 480W (24V), 960W (48V)	4	DMX, 4 Buttons, 1-10V/0-10V, potentiometer	Monochrome, TW, RGB, RGBW	71x91x62 mm

CONSTANT CURRENT



1 OUTPUT CHANNEL

- BUS+FADER+DIMMER+DRIVER
- DC INPUT: 12-24-48 VDC
- REMOTE COMMAND OPTIONS: DMX
- LOCAL COMMAND OPTIONS: NORMALLY OPEN PUSH-BUTTON
- ADJUSTING THE BRIGHTNESS OF WHITE LIGHT
- TYPICAL EFFICIENCY > 95%
- ADJUSTING THE BRIGHTNESS DOWN TO COMPLETED OFF
- SOFT START AND SOFT STOP
- OPTIMIZED OUTPUT CURVE
- EXTENDED TEMPERATURE RANGE
- 100% FUNCTIONAL TEST – 5 YEARS WARRANTY

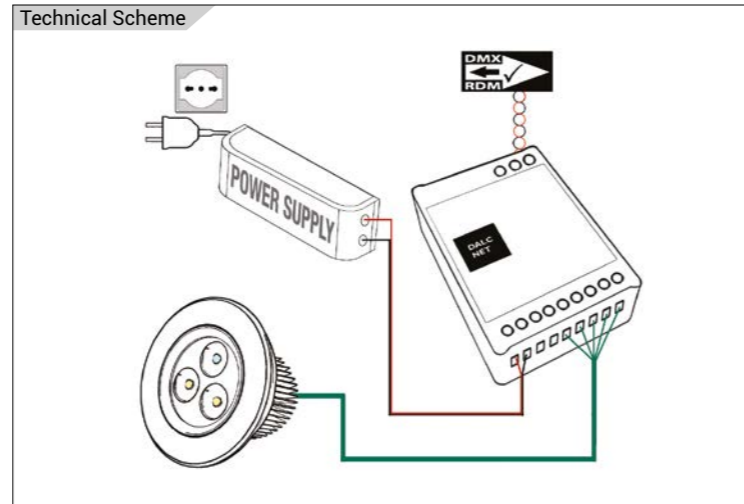


Scan the QR code for the complete data sheet



CODE	INPUT VOLTAGE	OUTPUT CURRENT	POWER	CHANNELS	COMMAND	DIMENSIONS (LxWxH)
DLB1248-1CC350-DMX	12V, 24V, 48V	350mA	16,8W	1	DMX / Button	45x58x25 mm
DLB1248-1CC500-DMX	12V, 24V, 48V	500mA	24W	1	DMX / Button	45x58x25 mm
DLB1248-1CC700-DMX	12V, 24V, 48V	700mA	33,6W	1	DMX / Button	45x58x25 mm
DLB1248-1CC950-DMX	12V, 24V, 48V	950mA	45,6W	1	DMX / Button	45x58x25 mm

CONSTANT CURRENT



4 OUTPUT CHANNELS

- BUS+SEQUENCER+FADER+DIMMER+DRIVER
- DC INPUT 12-24 VDC
- BUS COMMAND: DMX
- LOCAL COMMAND: STAND ALONE FUNCTION (DIP SWITCH SETTINGS)
- CONTROL: RGB OR RGBW COLOR

- CURRENT OUTPUTS OR VOLTAGE OUTPUTS FOR LED STRIP
- TYPICAL EFFICIENCY > 95%
- ADJUSTING THE BRIGHTNESS UP TO COMPLETED OFF
- SOFT START AND SOFT STOP
- OPTIMIZED OUTPUT CURVE
- 100% TEST FUNCTIONAL – 2 YEARS WARRANTY

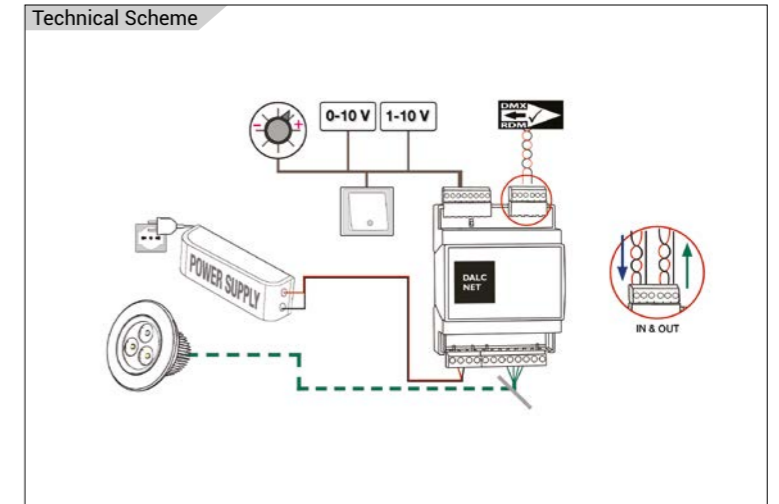


Scan the QR code for the complete data sheet



CODE	INPUT VOLTAGE	CURRENT OUTPUT	MAX POWER	CHANNELS	COMMAND	SOURCE	DIMENSIONS (LxWxH)
DLX1224-4CC350-DMX	12V, 24V	350mA	33,6W	4	DMX	Monochrome, TW, RGB, RGBW	88x54x26 mm
DLX1224-4CC500-DMX	12V, 24V	500mA	48W	4	DMX	Monochrome, TW, RGB, RGBW	88x54x26 mm

CONSTANT CURRENT



4 OUTPUT CHANNELS - DIN-RAIL

- OUTPUTS: 4 X CHANNELS
- BUS+SEQUENCER+FADER+DIMMER+DRIVER
- INPUT: DC 12/24/48 VDC
- BUS COMMAND: DMX
- LOCAL COMMAND: 4X N.O. PUSH BUTTON (WITH OR WITHOUT MEMORY), 0-10V, 1-10V AND POTENTIOMETER 10KOHM

- CONTROLS: DIMMER, DIM TO WARM, TUNABLE WHITE, RGB, RGBW
- VOLTAGE OUTPUTS AND CURRENT OUTPUTS FOR R-L-C LOADS
- TYPICAL EFFICIENCY > 95%
- ADJUSTING THE BRIGHTNESS UP TO COMPLETED OFF (DIM TO DARK)

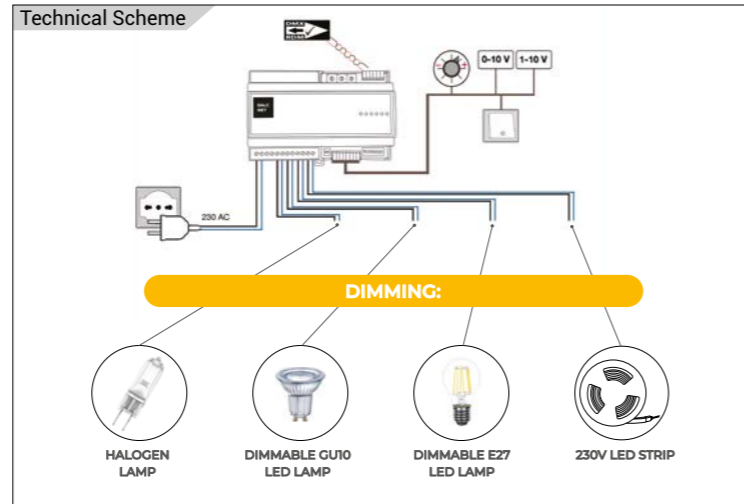


Scan the QR code for the complete data sheet



CODE	INPUT VOLTAGE	RANGE	POWER	CHANNELS	COMMAND	SOURCE	DIMENSIONS (LxWxH)
DLD1248-4CC-DMX	12V, 24V, 48V	da 250mA a 700mA*	48W-134W	4	Button + DMX +1-10V /0-10V/ potentiometer	Monochrome, TW, RGB, RGBW	36x91x62mm

HIGH VOLTAGE OUTPUT 230V



4 OUTPUT CHANNELS - DIN-RAIL

- AC DIMMER + FADER
- AC INPUT: 230V AC
- COMMAND:
 - N.O. PUSH BUTTON
 - ANALOG SIGNAL 0/1-10V AND POTENTIOMETER 10KOHM
- COMMAND BUS: DMX
- OUTPUT CHANNEL FOR R – C LOADS
- ADJUSTING THE BRIGHTNESS OF WHITE LIGHT

- FOUR CHANNEL DIMMER OUTPUT PHASE-CUT (TRAILING EDGE)
- FOR LED DIMMABLE LAMPS AND HALOGENS
- TYPICAL EFFICIENCY > 95%
- ADJUSTABLE MINIMUM DIMMING VALUE
- SOFT START AND SOFT STOP
- OPTIMIZED OUTPUT CURVE
- MEMORY FUNCTION
- 100% FUNCTIONAL TEST – 5 YEARS WARRANTY



Scan the QR code for the complete data sheet



CODE	INPUT VOLTAGE	POWER	CHANNELS	COMMAND	SOURCE	DIMENSIONS (LxWxH)
DAC230-4CH-DMX	230Vac	200W max/CH 800W Totali	4	DMX,4 Button, 1-10V/0-10V, potentiometer	led dimmable lamps halogen lamps	143x91x62 mm

SPLITTER



2 CHANNELS

- POWER SUPPLY 12-24VDC
- 2 X BUS DMX512 / DMX512+RDM
- NSC, SIP
- FUNCTIONAL INSULATION
- BIDIRECTIONAL DATA COMMUNICATION

- SIGNAL REGENERATION
- 32 BIT ARM PROCESSOR
- (RDM VARIANT)
- 100% FUNCTIONAL TEST - 5 YEARS WARRANTY



Scan the QR code for the complete data sheet



CODE	INPUT VOLTAGE	CHANNELS	DMX CHANNELS	COMMAND
DMX-SPLITTER-2CH	12V, 24V	2	2 x 512	DMX
DMX-SPLITTER-2CH-RDM	12V, 24V	2	2 x 512	DMX + RDM

DMX CONTROLLERS



4 CHANNELS SPLITTER

- POWER SUPPLY 12-24-48 VDC
- 5 X BUS DMX512 / DMX512+RDM
- NSC, SIP
- FUNCTIONAL INSULATION
- BIDIRECTIONAL DATA COMMUNICATION
- SIGNAL REGENERATION
- 32 BIT ARM PROCESSOR
- (RDM VARIANT)
- EXTENDED TEMPERATURE RANGE
- 100% FUNCTIONAL TEST - 5 YEARS WARRANTY



Scan the QR code for the complete data sheet



CODE	INPUT VOLTAGE	CHANNELS	DMX CHANNELS	COMMAND
DMX-SPLITTER-4CH-LE	12V, 48V	4	4 x 512	DMX
DMX-SPLITTER-4CH-RDM-LE	12V, 48V	4	4 x 512	DMX + RDM

DMX CONTROLLERS



DMX TOUCH PANEL

- 1 TO 5 COLOR 4 ZONE UNIVERSAL DMX512 TOUCH MASTER PANEL, CAN ALSO BE USED AS 1 TO 5 COLOR 4 ZONE UNIVERSAL RF REMOTE CONTROL.
- EACH ZONE CAN BE SET AS SINGLE COLOR, DUAL COLOR (WW / CW), RGB, RGBW OR RGB + CCT LIGHT TYPE.
- DMX SIGNAL OUTPUT, COMPLIANT WITH STANDARD DMX512 PROTOCOL, COMPATIBLE WITH ANY SUPPLIER'S DMX DECODER.
- WHEN USED AS AN RF REMOTE CONTROL, IT IS COMPATIBLE WITH THE DRC1224-5CV (REMOTE CONTROL AND RECEIVER)
- ULTRA-SENSITIVE HIGH-STRENGTH GLASS TOUCH PANEL WITH CENTER TOUCH COLOR WHEEL AND BACKLIGHT
- SMOOTH AND ACCURATE COLOUR ADJUSTMENT BY TAPPING THE COLOUR WHEEL.
- TOUCH KEYS WITH LED INDICATOR AND SOUNDS. BLACK AND WHITE GLASS PANEL AVAILABLE.



Scan the QR code for the complete data sheet



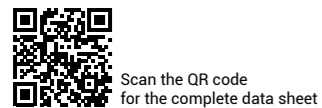
CODE	COLOR	INPUT VOLTAGE	CHANNELS	COMMAND	SOURCE	DIMENSIONS (LxWxH)
DMX-T4-ZONE-B	black	85-235VAC	4	DMX	RGBW	120x80x37 mm
DMX-T4-ZONE-W	white	85-235VAC	4	DMX	RGBW	120x80x37 mm

DMX CONTROLLERS



DMX TOUCH CONTROLLER

- STICK-DE3 IS A DMX TOUCH-SENSITIVE INTERFACE WITH SMART DESIGN AND COLORED GLASS DISPLAY FOR AN EASY USE. STAND-ALONE FUNCTION FOR LED LIGHTING SYSTEM CONTROL.
- 1024DMX CHANNELS TO MANAGE UP TO 340 RGB FIXTURE.
- THE TOUCH SURFACE CAN BE EASILY PROGRAMMABLE FROM PC IN ORDER TO CREATE AND MEMORIZE SCENES, TO ASSIGN THE LIGHT FITTINGS TO THE ZONES AND TO SET THE STAND-ALONE FUNCTIONS TIMER/DATE/HOUR.

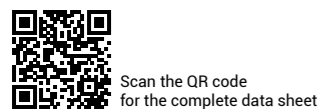


CODE	OUTPUT	POWER	COMMAND
STICK-DE3	1024 CH	5-6 VDC	DMX



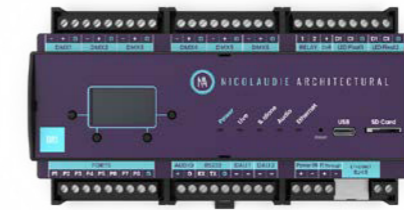
SLESA-U9

- USB CONNECTION
- 512 DMX512 CHANNELS UNIVERSE IN LIVE MODE (COMPUTER)
- 256 DMX512 CHANNELS UNIVERSE IN STAND ALONE
- 8 DRY CONTACT TRIGGER PORTS VIA HE10 CONNECTOR
- STAND ALONE MODE WITH 1 AREA AND 20 SCENES

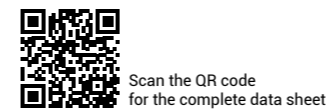


CODE	OUTPUT	POWER	STAND-ALONE MEMORY	PORT
SLESA-U9	256 DMX Channels	5-6 VDC	20k	USB Mini

DMX CONTROLLERS



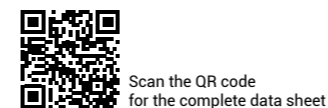
DINA-DR1 / LITE



- THE DR1 IS A STRONG AND DURABLE DIN-RAIL SOLUTION FOR FIXED LIGHTING INSTALLATIONS. CONTROLS UP TO 3072 CHANNELS (1024 FOR LITE VERSION) OVER DMX 512, ART-NET OR SACN, LED PIXEL, DALI. MULTIPLE CONTROLLERS CAN BE CONNECTED AND SYNCHRONISED FOR LARGE-SCALE LIGHTING INSTALLATION. WITH THIS CONTROLLER CAN BE SET UP 2000SCENES AND CONTROL 20 ZONES.



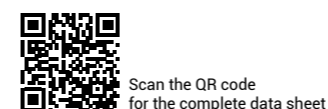
DINA-DR2 / LITE



- THE DINA-DR2 IS THE PERFECT SOLUTION FOR MID-RANGE LIGHTING INSTALLATIONS. DELIVERED WITH 1024 DMX CHANNELS (512 FOR LITE VERSION), THE CONTROLLER CAN BE UPGRADED TO 1536 BY ADDING A 3RD DMX UNIVERSE. IT ALLOWS TO SET UP TO 99 SCENES AND CONTROL 5 ZONES.



DINA-DR-MICRO



- THE DINA-DR MICRO IS A STANDALONE LIGHTING CONTROLLER FOR SIMPLE DMX INSTALLATIONS. DELIVERED WITH A DIN RAIL ADAPTER, THE DINA-DR MICRO CAN BE MOUNTED IN AN ELECTRICAL CABINET.



APP CASAMBI

Casambi is an advanced lighting control system, the easiest and most comfortable way of controlling your lamps and the entire lighting installation. It's a solution based on Bluetooth low Energy (BLE) technology. BLE is a new generation wireless technology, the only one in low power implemented in all the smartphones.

The App for lighting management is based on this technology: Casambi App is free for IOS and Android and allows to manage freely the lighting network, grouping lights on choice through Casambi mesh network.

The control and management of light do not happen only by means of switches or remote controllers anymore, but also through smartphones, tablet or smart watch: Casambi App is easy and user-friendly, extremely versatile and operating 24/7, suitable for a variety of smart lighting installations.

DOWNLOAD CASAMBI APP FOR FREE



DIMMERS

Constant Voltage Output 12-24-48V
Constant Current Output
High Voltage 230VAC

pag. 42



ACCESSORIES

pag. 46



SIGNAL CONVERTERS

pag. 47



SWITCHES

8-input switch interface with battery CR2032
Wireless push button interface

pag. 50



VOICE COMMAND

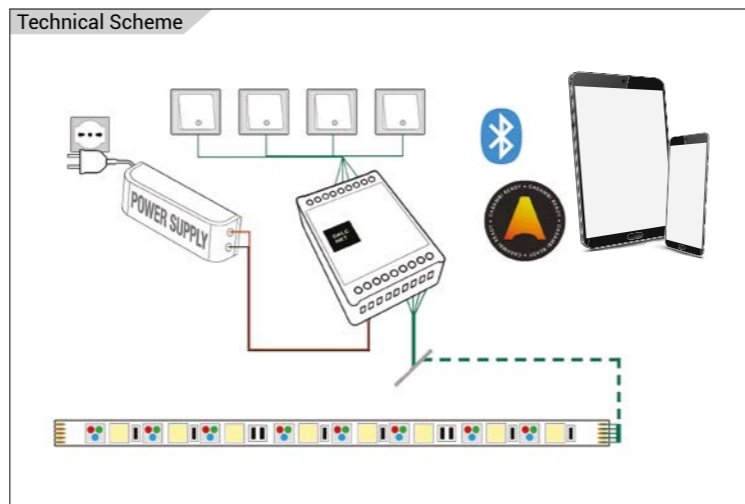
pag. 52



GATEWAY

pag. 53

DIMMERS



CONSTANT VOLTAGE 1,4 OUTPUT CHANNELS

- DIMMER+DRIVER CASAMBI
- INPUT: DC 12-24 VDC
- COMMAND APP CASAMBI
- LOCAL COMMAND: N*1 PUSH BUTTON NORMALLY OPEN (N.O.)

- VOLTAGE OUTPUT FOR LED STRIP
- TYPICAL EFFICIENCY > 95%
- 100% FUNCTIONAL TEST

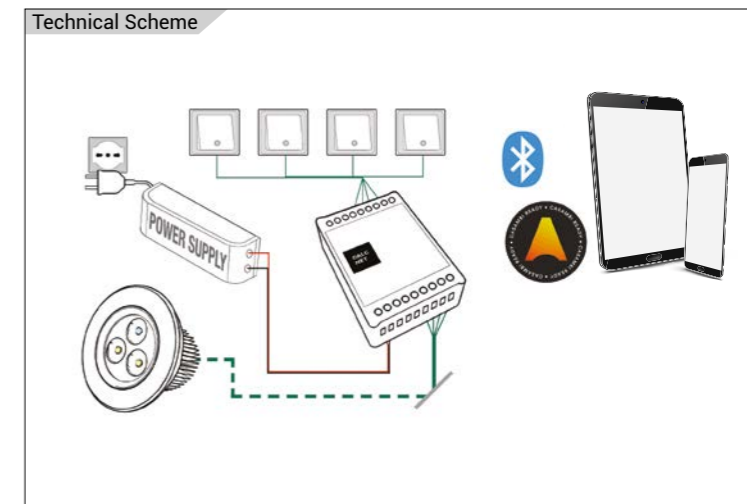


Scan the QR code for the complete data sheet



CODE	INPUT VOLTAGE	OUTPUT CURRENT	MAX POWER	CHANNELS	COMMAND	SOURCE	DIMENSIONS (LxWxH)
DLC1224-1CV CASAMBI	12V, 24V	1 x 10A	120W (12V), 240W (24V)	1	App Casambi pulsante	Monocromatica	45x58x19 mm
DLX1224-4CV CASAMBI	12V, 24V	4 x 5A - Max 10A	120W (12V), 240W (24V)	4	App Casambi, 4 pulsanti	Monocromatica, TW, RGB, RGBW	54x88x25 mm

DIMMERS



CONSTANT CURRENT 4 OUTPUT CHANNELS

- DIMMER+DRIVER CASAMBI
- INPUT: DC 12-24 VDC
- COMMAND: APP CASAMBI
- LOCAL COMMAND: N*4 PUSH BUTTONS NORMALLY OPEN (N.O.)

- CONTROL: WHITE, TUNABLE WHITE, COLOR RGB, RGBW OR RGB+W
- VOLTAGE OR CURRENT OUTPUT FOR LED STRIP LIGHTS
- TYPICAL EFFICIENCY >95%
- 100% FUNCTIONAL TEST

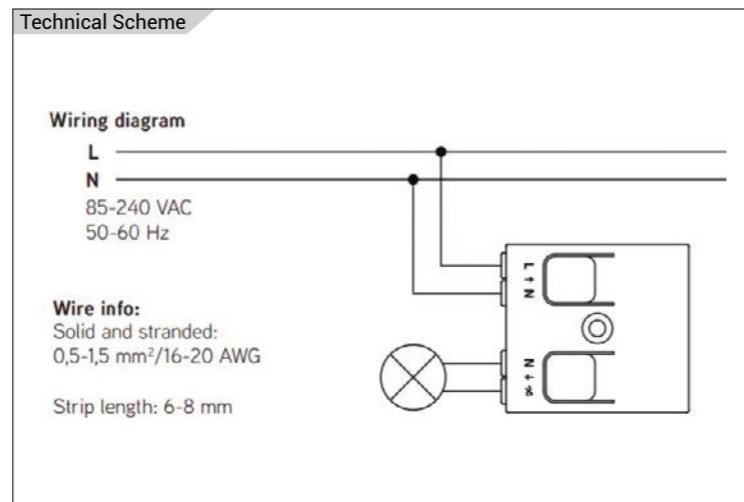


Scan the QR code for the complete data sheet



CODE	INPUT VOLTAGE	RANGE	POWER	CHANNELS	COMMAND	SOURCE	DIMENSIONS (LxWxH)
DLX4CC350CASAMBI	12V, 24V	350mA	33,6W	4	App Casambi, 4 pulsanti	Monocromatica, TW, RGB, RGBW	54x88x25 mm
DLX4CC500CASAMBI	12V, 24V	500mA	48W	4	App Casambi, 4 pulsanti	Monocromatica, TW, RGB, RGBW	54x88x25 mm

DIMMERS



HIGH VOLTAGE OUTPUT 230V 1 OUTPUT CHANNEL

■ CBU-TED IS A BLUETOOTH CONTROLLABLE, CASAMBI ENABLED TRAILING-EDGE DIMMER FOR OPERATION OF INCANDESCENT LAMPS, DIMMABLE LED LAMPS AND DIMMABLE LED CONTROL GEAR. IT CAN BE INSTALLED BEHIND A TRADITIONAL WALL SWITCH, INSIDE A LUMINAIRE OR INTO A CEILING OUTLET BOX. MAXIMUM ALLOWABLE AMBIENT TEMPERATURE MUST BE OBSERVED. CBU-TED IS ABLE TO CONTROL UP TO 150 W AT 230 VAC. IT FEATURES AN OVERCURRENT AND OVER TEMPERATURE PROTECTION. CBU-TED CAN BE CONTROLLED WITH CASAMBI APP, AVAILABLE FOR IOS AND ANDROID DEVICES, AS WELL AS WITH TRADITIONAL WALL SWITCHES. THE CASAMBI APP CAN BE DOWNLOADED FREE OF CHARGE FROM APPLE APP STORE AND GOOGLE PLAY STORE. DIFFERENT CASAMBI ENABLED PRODUCTS CAN BE USED AS A SIMPLE ONE LUMINAIRE DIRECT CONTROL TO A COMPLETE AND FULL FEATURED LIGHT CONTROL SYSTEM WHERE UP TO 127 UNITS FORM AUTOMATICALLY AN INTELLIGENT MESH NETWORK.

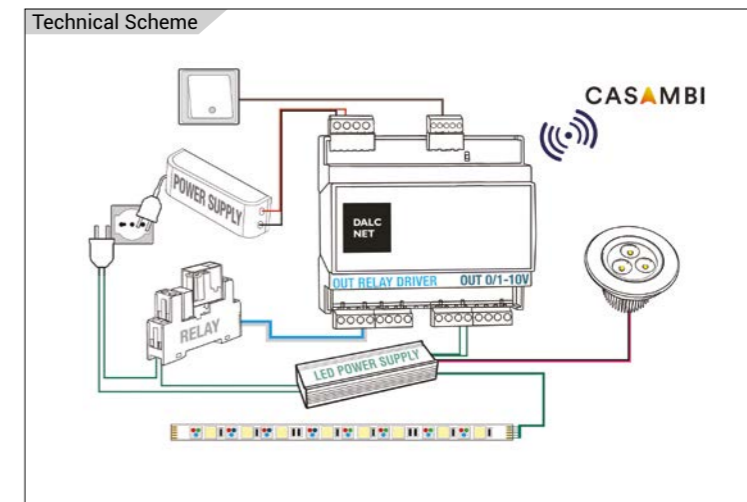


Scan the QR code for the complete data sheet



CODE	INPUT VOLTAGE	OUTPUT CURRENT	POWER	COMMAND
CBU-TED	110-230VAC	110-230VAC Taglio di Fase	150W	App Casambi

DIMMERS



0-10 PUSH TO CASAMBI 4 OUTPUT CHANNELS

■ INPUT DC: 12/24/48 VDC (SUPPLY VOLTAGE RANGE 10,8VDC – 52,8VDC)
 ■ N°4 LOW VOLTAGE "RELAY DRIVER" OUTPUT TO COMMAND EXTERNAL POWER RELAYS
 ■ N°4 ANALOG OUTPUT (0-10V / 1-10V) TO COMMAND POWER SUPPLIES WITH DIM FUNCTION OR LED DRIVER AND DIMMING DEVICE 0/1-10V

■ REMOTE COMMAND: CASAMBI APP
 ■ LOCAL COMMANDS: N°4 PUSH BUTTONS N.O.
 ■ CONVERSION FROM CASAMBI SIGNAL TO 0/1-10V COMMAND
 ■ XTENDED TEMPERATURE RANGE: MIN: -25°C .. MAX:+60°C
 ■ 100% FUNCTIONAL TEST – 5 YEARS WARRANTY

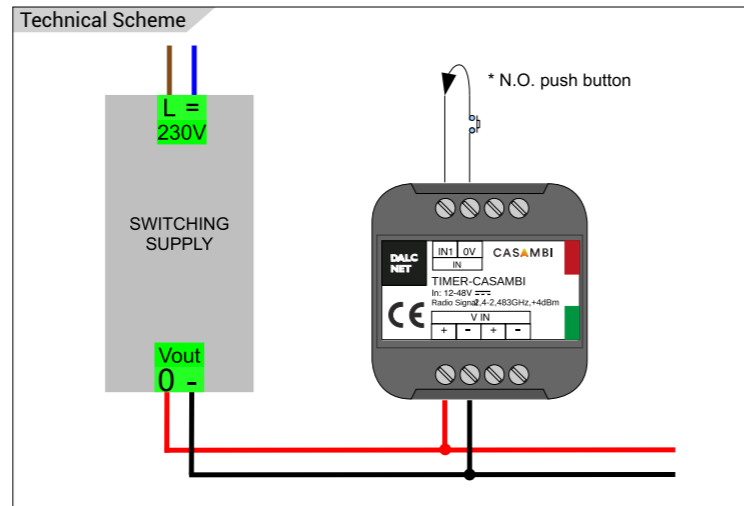


Scan the QR code for the complete data sheet



CODE	INPUT VOLTAGE	POWER	CHANNELS	COMMAND	SOURCE	DIMENSIONS (LxWxH)
ADC-4CH CASAMBI	12V, 24V, 48V	240W (12V) 480W (24V) 960W (48V)	4	App Casambi	Monochrome, TW, RGB, RGBW	107x91x62 mm

ACCESSORIES



TIMER CASAMBI

- TIMER CASAMBI
- INPUT DC: 12/24/48 VDC
- COMMAND: APP CASAMBI
- COMMAND: PUSH BUTTON NORMALLY OPEN, SETTING BY APP
- TIME CLOCK STORING TO KEEP ON MEMORY CASAMBI SCENARIOS IN CASE OF TEMPORARILY BLACK-OUT
- ALLOWS TO KEEP MEMORY OF THE CASAMBI NETWORK CLOCK FOR 24 HOURS
- PRECISION CLOCK
- SYNCHRONIZATION OF SCENARIOS AND PROGRAMS OF CASAMBI IN CASE OF BLACK-OUT OR TEMPORARILY MISSING OF POWER SUPPLY
- SYNCHRONIZATION AND STORING OF THE CIRCADIAN PROFILE SET BY CASAMBI APP
- 100% FUNCTIONAL TEST - 5 YEARS WARRANTY

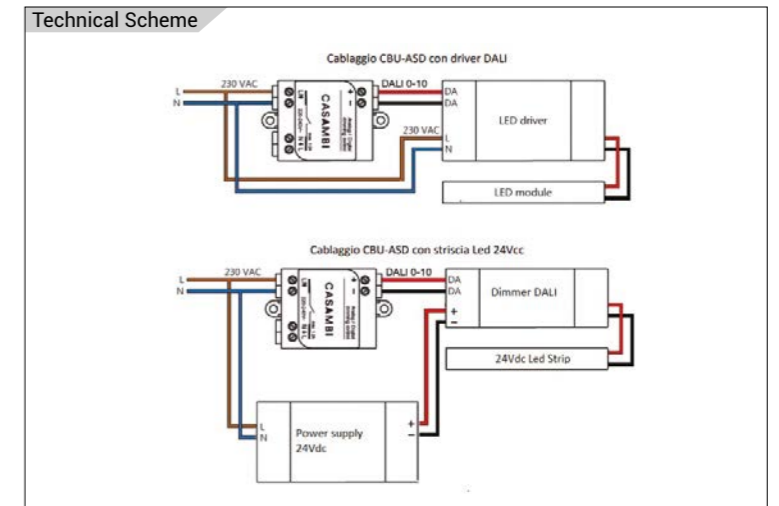


Scan the QR code for the complete data sheet



CODE	INPUT VOLTAGE	COMMAND	DIMENSIONS (LxWxH)
TIMER-CASAMBI	12V, 24V, 48V	Casambi App, N.O. push button	45x58x25 mm

SIGNAL CONVERTERS



0-10 DALI PUSH TO CASAMBI 1 OUTPUT CHANNEL

- CBU-ASD IS A WIRELESS CONTROL UNIT FOR LED AND HALOGEN DRIVERS WITH 0-10V, 1-10V OR DALI DIMMING INTERFACE. CBU-ASD IS AVAILABLE WITH EITHER ANALOG 0-10V (AND 1-10V) OR DIGITAL STANDALONE DALI CONTROL INTERFACE

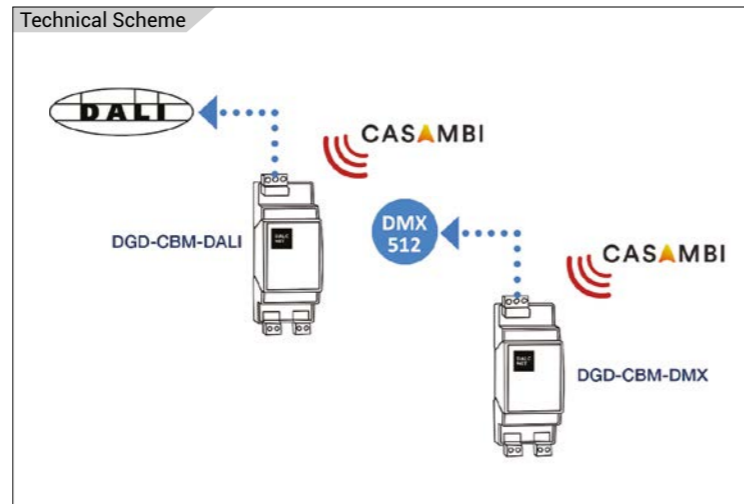


Scan the QR code for the complete data sheet



CODE	DEVICE	INPUT VOLTAGE	OUTPUT	COMMAND
CBU-ASD	Control unit Bluetooth	230VAC	0-10V / 1-10V / DALI	App Casambi

SIGNAL CONVERTERS

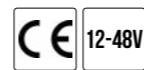


CASAMBI TO DALI/DMX 1 OUTPUT CHANNEL

- CONVERTER+CASAMBI+BUS
- DC INPUT: 12-24-48 VDC
- COMMAND: APP CASAMBI
- LOCAL COMMAND PROGRAMMABLE FROM APP CASAMBI: NORMALLY OPEN PUSH BUTTON
- DGD CASAMBI IS CONVERTER FROM CASAMBI SIGNAL TO DALI OR DMX PROTOCOL
- POSSIBILITY TO CONTROL DEVICES WITH PROTOCOL DALI OR DMX BY CASAMBI APP
- 100% FUNCTIONAL TEST – 5 YEARS WARRANTY



Scan the QR code for the complete data sheet



CODE	INPUT VOLTAGE	CHANNELS	COMMAND	OUTPUT SIGNAL	INPUT COMMAND	DIMENSIONS (LxWxH)
DGD-CBM-DALI	12V, 24V, 48V	1	App Casambi	DALI	N.O. push button	92x36x62 mm
DGD-CBM-DMX	12V, 24V, 48V	1	App Casambi	DMX	N.O. push button	92x36x62 mm

SIGNAL CONVERTERS



SIGNAL CONVERTER FOR OUTDOOR APPLICATIONS

- CONVERTER+CASAMBI+BUS
- REPEATER CASAMBI
- INPUT: 230VAC
- COMMAND: APP CASAMBI
- SIGNAL CONVERTER FROM CASAMBI TO DALI O DMX, IN MASTER VARIANT
- SIGNAL REPEATER, IN REPEATER VARIANT
- POSSIBILITY TO CONTROL DALI OR DMX DEVICE, BY CASAMBI APP
- 100% FUNCTIONAL TEST – 5 YEARS WARRANTY

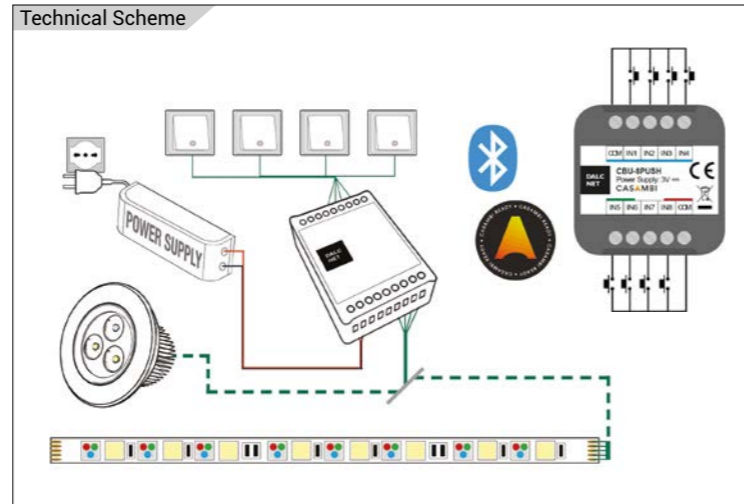


Scan the QR code for the complete data sheet



CODE	INPUT	OUTPUT	COMMAND
CBU-DALI-IP	230V AC	DALI	App Casambi
CBU-DMX-IP	230V AC	DMX	App Casambi
CBU-REPEATER-IP	230V AC	REPEATER	App Casambi

SWITCHES



CASAMBI SWITCH INTERFACE 8 INPUTS INTERFACE WITH BATTERY CR2032

- CASAMBI PUSH BUTTONS
- COMMAND: CASAMBI APP
- LOCAL COMMAND: UP TO N*8 PUSH BUTTONS N.O. (NORMALLY OPEN)
- POSSIBLE TO SET MORE FIXTURE
- CONTROL A SINGLE LUMINAIRE
- CONTROL ALL LUMINAIRES

- SMOOTH DIMMING
- CONTROL AND RECALL A SCENES
- RECALL ANIMATIONS
- CHANGE OF COLOR TEMPERATURE
- POWER SUPPLY: CR 2032 BATTERY
- 100% FUNCTIONAL TEST

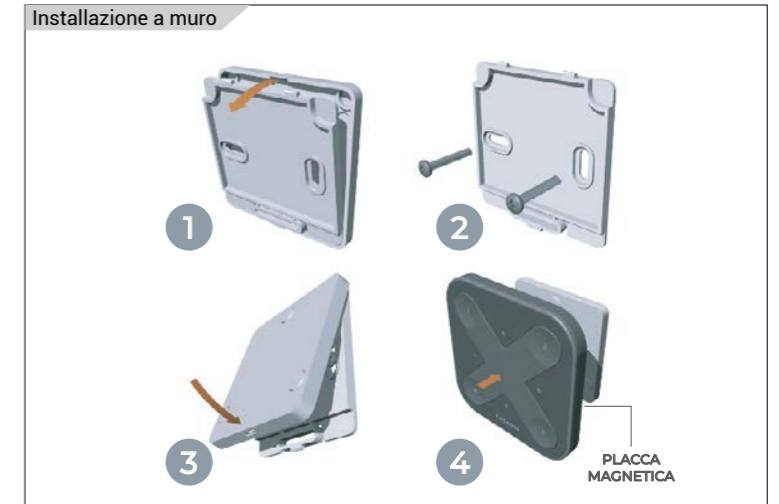


Scan the QR code for the complete data sheet



CODE	BATTERY	COMMAND	DIMENSIONS (LxWxH)
CBU-8PUSH	CR2032	8 Inputs / Casambi APP	44x57x19 mm

SWITCHES



WIRELESS INTERFACE

- XPRESS IS A WIRELESS USER INTERFACE THAT BRINGS HUGE FLEXIBILITY TO INTERIOR DESIGN AS FURNITURE CAN BE REPLACED OR EVEN WALLS CAN BE REBUILT WITHOUT HAVING TO TAKE WIRING OF SWITCHES OR SWITCH PLACEMENT INTO ACCOUNT. THE SWITCH CAN BE KEPT WHEREVER THE USER NEEDS IT AND IT GIVES DIRECT ACCESS TO ALL THE IMPORTANT CASAMBI LIGHTING CONTROL FUNCTIONALITIES.



Scan the QR code for the complete data sheet



CODE	COMMAND	POWER SUPPLY	MANAGEMENT
XPRESS-W	App Casambi	Battery	Wireless Interface
XPRESS-B	App Casambi	Battery	Wireless Interface

VOICE COMMAND



CASAMBI PROTOCOL

- WIRELESS INSTALLATION
- BATTERY OPERATED
- AUTOMATED LIGHTING
- SCENE, GROUP, DURATION CONFIGURABLE IN THE APP

- TRIGGER THRESHOLD, LDR PROGRAMMABLE VIA KEYSTROKE
- INSTALLATION ANYWHERE BY MAGNET
- NO MAINTENANCE, LONG BATTERY LIFE UP TO 10 YEARS!
- BATTERY REPLACEABLE

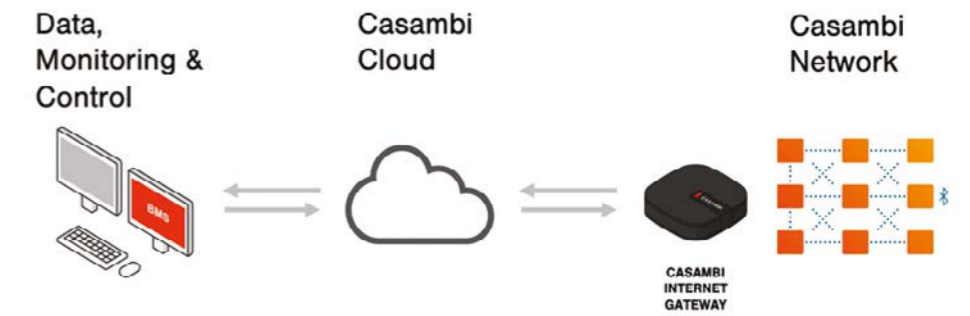


Scan the QR code for the complete data sheet



CODE	DESCRIPTION
XMOMENT20-B	Casambi compatible Voice command

GATEWAY



CBU-GATEWAY

- QUALCOMM MSM8909
- QUAD CORE CPU
- ARM CORTEX-A7 MICROPROCESSOR CORES UP TO 1.1 GHZ
- QDSP6 V5 CORE AT UP TO 691 MHZ
- 2GB DDR3 MEMORY
- 8GB EMMC BT 4.1 (BR/EDR + BLE) RANGE UP TO 30M*
- SIZE 108X104X28MM

- NET WEIGHT 180G
- OPERATING TEMPERATURE 0° TO 50° C
- OPERATING RELATIVE HUMIDITY 10% TO 95% WIFI IEEE 802.11 B/G/N,
- 2.4G LAN RJ45 10/100M ETHERNET INTERFACE
- HDMI VIDEO OUTPUT V1.4 AC 100 240V 50/60HZ Û
- CONTROL 2 CASAMBI NETWORKS



Scan the QR code for the complete data sheet

CODE	CPU	PROCESSOR	SOURCE	DIMENSIONS (LxWxH)
CBU-GATEWAY	Qualcomm MSM8909 Quad Core CPU	ARM Cortex-A7 microprocessor cores up to 1.1 GHz	2 Network Casambi	108x104x28 mm

GATEWAYS AND CONVERTERS

The range of products developed from Dalcnet encloses a line of gateways and converters, that allow the easy integration of lighting systems and bus communication protocols.



CONVERTERS

pag. 57



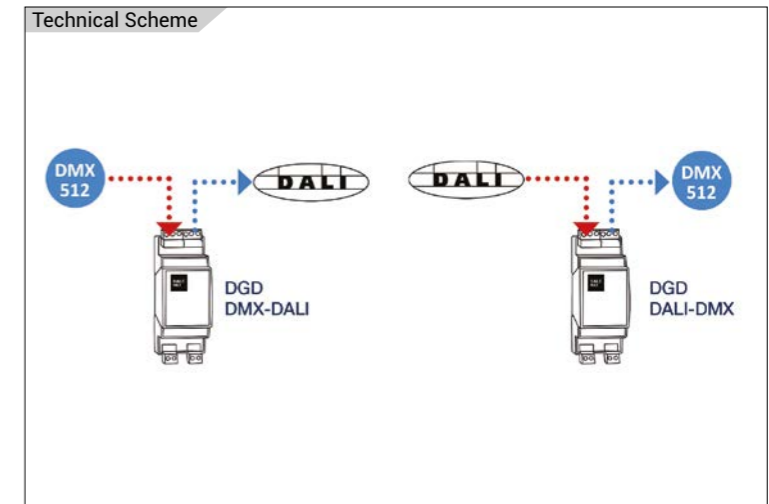
SERVER GATEWAY

DGM01-1248

pag. 60



CONVERTERS



DGD GATEWAY

- ONVERTER+BUS
- DC INPUT: 12-24-48 VDC
- BUS COMMAND: DMX O DALI
- CONVERTER FROM DALI PROTOCOL TO DMX PROTOCOL
- CONVERTER FROM DMX PROTOCOL TO DALI PROTOCOL
- POSSIBILITY TO CONTROL DEVICE WITH PROTOCOL DALI BY PROTOCOL DMX AND VICEVERSA
- 100% FUNCTIONAL TEST – 5 YEARS WARRANTY

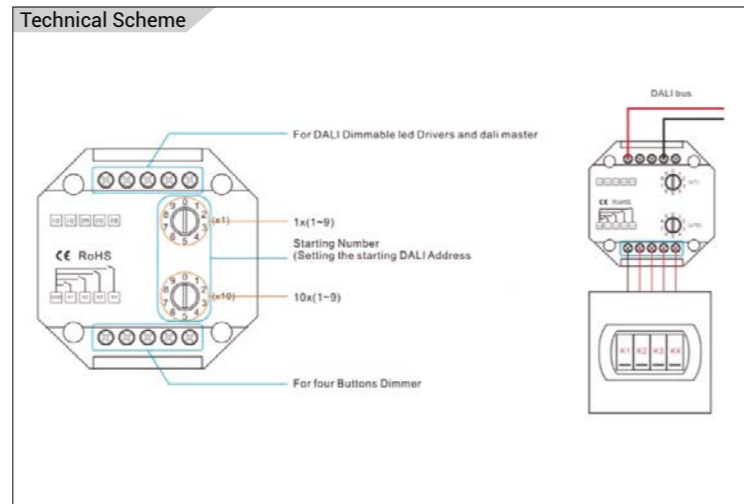
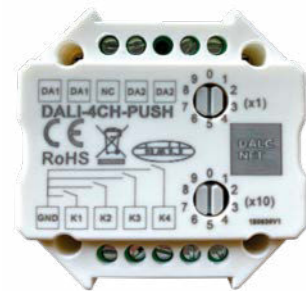


Scan the QR code for the complete data sheet



CODE	INPUT	COMMAND	SOURCE	DIMENSIONS (LxWxH)
DGD-DMX-DALI*	12V, 24V, 48V	App Casambi, N.O. push button	DALI	92x36x62 mm
DGD-DALI-DMX	12V, 24V, 48V	App Casambi, N.O. push button	DMX	92x36x62 mm

CONVERTERS



DALI/PUSH BUTTON

- STANDARD DALI MASTER CONTROL 4 DALI ADDRESSES
- COMPLY TO DALI STANDARD PROTOCOL IEC609229 AND IN COMPLIANCE WITH DALI PRODUCTS FROM OTHER INTERNATIONAL INCORPORATION
- WITH BUS DETECTIVE FUNCTION, ONE CHANNEL DALI BUS CAN INSTALL MULTIPLE DIMMING CONTROLLERS.

- NO EXTERNAL POWER SUPPLY WHICH IS PROVIDED BY DALI BUS. CONSUMPTION CURRENT IS 4MA
- ENABLE TO SELECT 4 DIFFERENT SCENE ADDRESSES FOR CONTROLLING BY ENCODING SWITCH
- CONTROLLED BY EXTERNAL SWITCH, CONVENIENT AND FLEXIBLE, WITH SMALL SIZE, IT CAN BE EASILY PLACED INTO 86 X 86 MM BOX

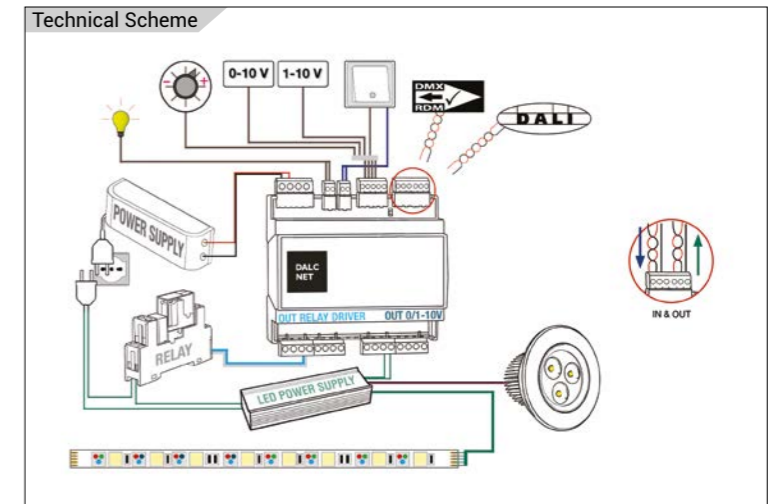


Scan the QR code for the complete data sheet



CODE	INPUT VOLTAGE	COMMAND	DIMENSIONS (LxWxH)	DESCRIPTION
DALI-4CH-PUSH	DALI BUS	Pulsante	52x52x29.2 mm	It allows to change value of 4 adresses by means of 4 push buttons, or it is possible to send a broadcast command using one push button
DALI-4CH-GROUP	DALI BUS	Pulsante	52x52x29.2 mm	It allows to dim 4 groups by means of 4 push buttons, or it is possible to send a broadcast command using one push button
DALI-4CH-SCENE	DALI BUS	Pulsante	52x52x29.2 mm	It allows to select 4 scenes through the 4 push buttons in broadcast mode

CONVERTERS



ADC1248 - MULTI INPUT

- INPUT DC: 12/24/48 VDC (SUPPLY VOLTAGE RANGE 10,8VDC – 53,5VDC)
- N°4 LOW VOLTAGE "RELAY DRIVER" OUTPUT TO COMMAND
- EXTERNAL POWER RELAYS
- N°4 ANALOG OUTPUT (0-10V / 1-10V) TO COMMAND POWER SUPPLIES WITH DIM FUNCTION OR LED DRIVER AND DIMMING DEVICE 0/1-10V
- N°1 CHANNEL STATUS LEDS INDICATE WHETHER A LOAD IS ON OR OFF

- BUS COMMANDS: DMX512-A+RDM, DALI, MODBUS
- LOCAL COMMANDS: PUSH BUTTONS N.O. / 0-10V / 1-10V / POTENTIOMETER
- LOCAL EXTRA-COMMAND PUSH BUTTON N.O. FOR GROUP CONTROL OF OUTPUT
- MASTER & SLAVE FUNCTION
- ADJUSTING THE MINIMUM VALUE OF THE ANALOG "0/1-10V" OUTPUT
- EXTENDED TEMPERATURE RANGE
- 100% FUNCTIONAL TEST – 5 YEARS WARRANTY

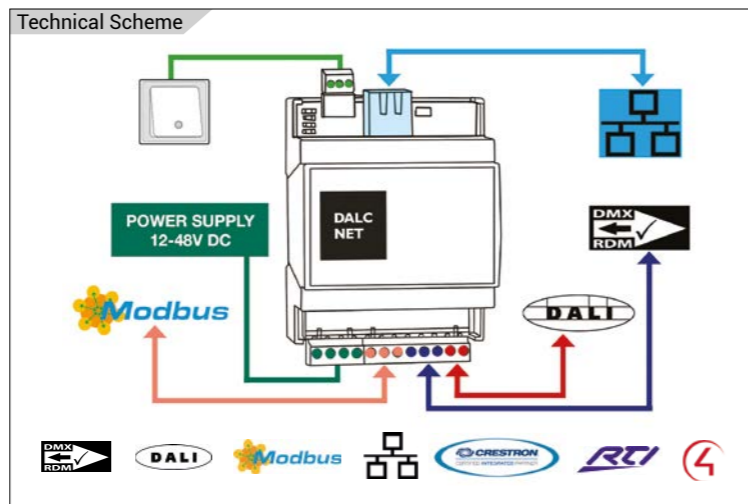


Scan the QR code for the complete data sheet



CODE	INPUT VOLTAGE	RANGE	CHANNELS	COMMAND	SOURCE	DIMENSIONS (LxWxH)
ADC1248-4CH-DMX	12V, 24V, 48V	240W(12V), 480W(24V), 960W(48V)	4	DMX, Input 4x&Master, 1 Pulsante, 1-10V/0-10V, potenziometro	Monocromatica, RGB, RGBW	107x91x62 mm
ADC1248-4CH-DALI	12V, 24V, 48V	240W (12V), 480W (24V), 960W (48V)	4	DALI, Input 4x&Master, 1 Pulsante, 1-10V/0-10V, potenziometro	Monocromatica, RGB, RGBW	107x91x62 mm

SERVER GATEWAY



SERVER GATEWAY DGM01-1248

- POWER SUPPLY 12/24/48 VDC
- BUS ETHERNET 10/100 MBIT
- BUS MODBUS RTU, FROM 9600 TO 250K BAUD
- BUS DMX 512 512 SLOTS NSC, SIP
- BUS DALI 64 CHANNELS, BUILT IN 125MA POWER SUPPLY



Scan the QR code for the complete data sheet



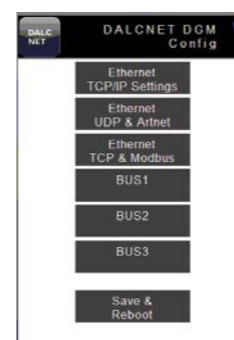
CODE	INPUT VOLTAGE	COMMAND	DIMENSIONS (LxWxH)
DGM01-1248	12V, 24V, 48V	Server Gateway Ethernet, DMX512-RDM, DALI, MODBUS)	91x62x71mm

DGM01-1248 WEB SERVER INTERFACE USE AND CONFIGURATION SET UP



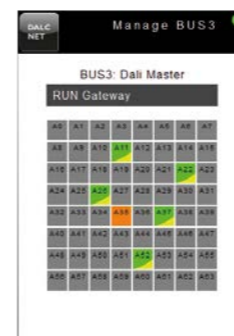
WEB SERVER HTML5

DGM01 INCLUDES A SUPERVISION AND SETTING WEB-APP TO USE FROM ANY BROWSER HTML5 COMPATIBLE. IT DISPLAYS A WINDOW WITH 6 CHANNELS, ALL OTHERS VISIBLE SCROLLING THE PAGE.



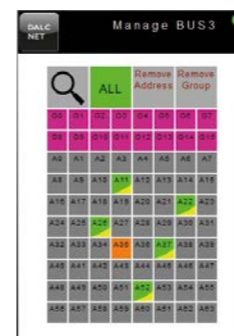
DEVICE CONFIG

CLICK ON THE REFERRED BOX, TO ENTER THE GATEWAY CONFIGURATION PAGE THAT ALLOWS TO DEFINE THE SETTINGS OF EACH COMMUNICATION BUS TYPE PRESENT IN THE DEVICE. IN THIS SECTION IT IS POSSIBLE TO CONFIGURE THE IP ADDRESS OF LANE PROTOCOLS AND BUS: ETHERNET TCP/IP SETTINGS, ETHERNET UDP & ARTNET, ETHERNET TCP AND MODBUS, BUS1, BUS2, BUS3.



BUS MANAGER

WHEN BUS IS SET AS MASTER DALI, IT IS POSSIBLE TO VIEW, ADDRESS AND MANAGE THE CONNECTED DALI DEVICES. IN THE BUS3 MANAGE SECTION IT'S POSSIBLE TO CHOOSE THROUGH MENU THE OPERATIVE MODE THAT ALLOWS THE COMPLETE CONFIGURATION OF A DALI SYSTEM: RUN GATEWAY. ADDRESS DEVICES (DRAG&DROP), CONFIG DEVICES.



DALI BUS MANAGER - ADDRESS DEVICES (COMMISSIONING)

IN THIS MODE IT SHOWS 64 DEVICES (I.E. ONE DALI UNIVERSE) IN SINGLE VIEW, AND 16 GROUPS THAT CAN BE MANAGED THROUGH DIFFERENT FUNCTIONS: ADDRESSING, DELETE, MODIFY ADDRESS, ADD TO A GROUP, REMOVE FROM A GROUP.



DALI BUS MANAGER - CONFIG DEVICES

WHEN THIS MODE IS SELECTED, THE GATEWAY STOPS ITS STANDARD FUNCTIONS. IN THIS SECTION IT IS POSSIBLE TO TRANSMIT CERTAIN PARAMETERS IN BROADCAST MODE, OR SET THE PARAMETERS TO DEFAULT VALUES (FACTORY DEFAULT)

PIXEL TO PIXEL



PIXEL TO PIXEL CONTROLLERS

pag. 65



GLORIES TOWER

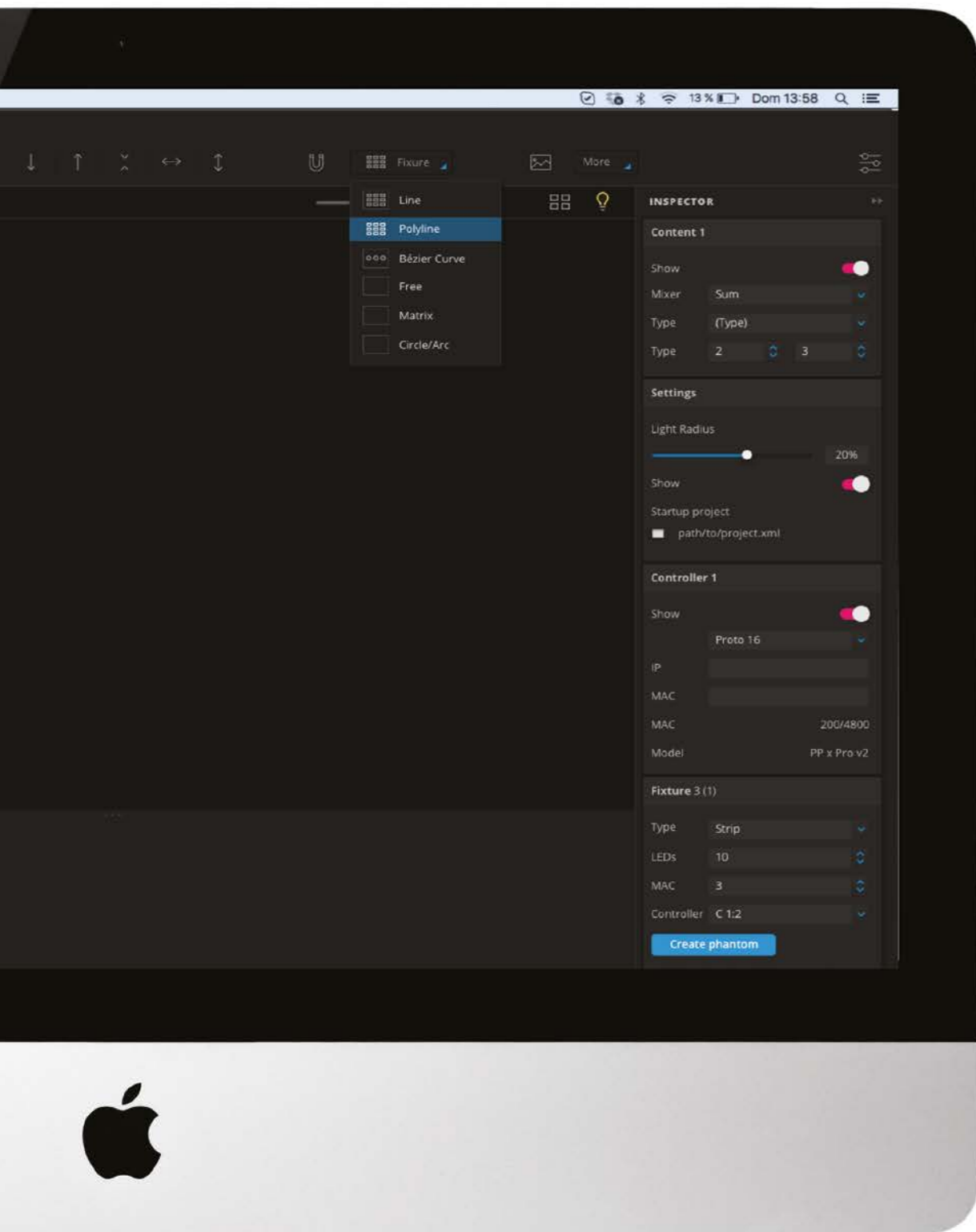
SPAIN, BY MERLIN PROPERTIES

DIGITAL LIGHTING FACADE. 40K PIXELS
MONTHLY LIGHTING UPDATES
CENTRALISED MANAGEMENT USING
PROTOPIXEL NODE
LIGHTING DESIGNED WITH PROTOPIXEL
CREATE

OUR SOLUTIONS

A CONTROL PLATFORM TO
CREATE HIGH IMPACT LIGHTING,
INCREASING REVENUE
THROUGH MORE FOOTFALL
WHILE MINIMISING COSTS
OF OPERATION, UPDATE AND
MAINTENANCE.





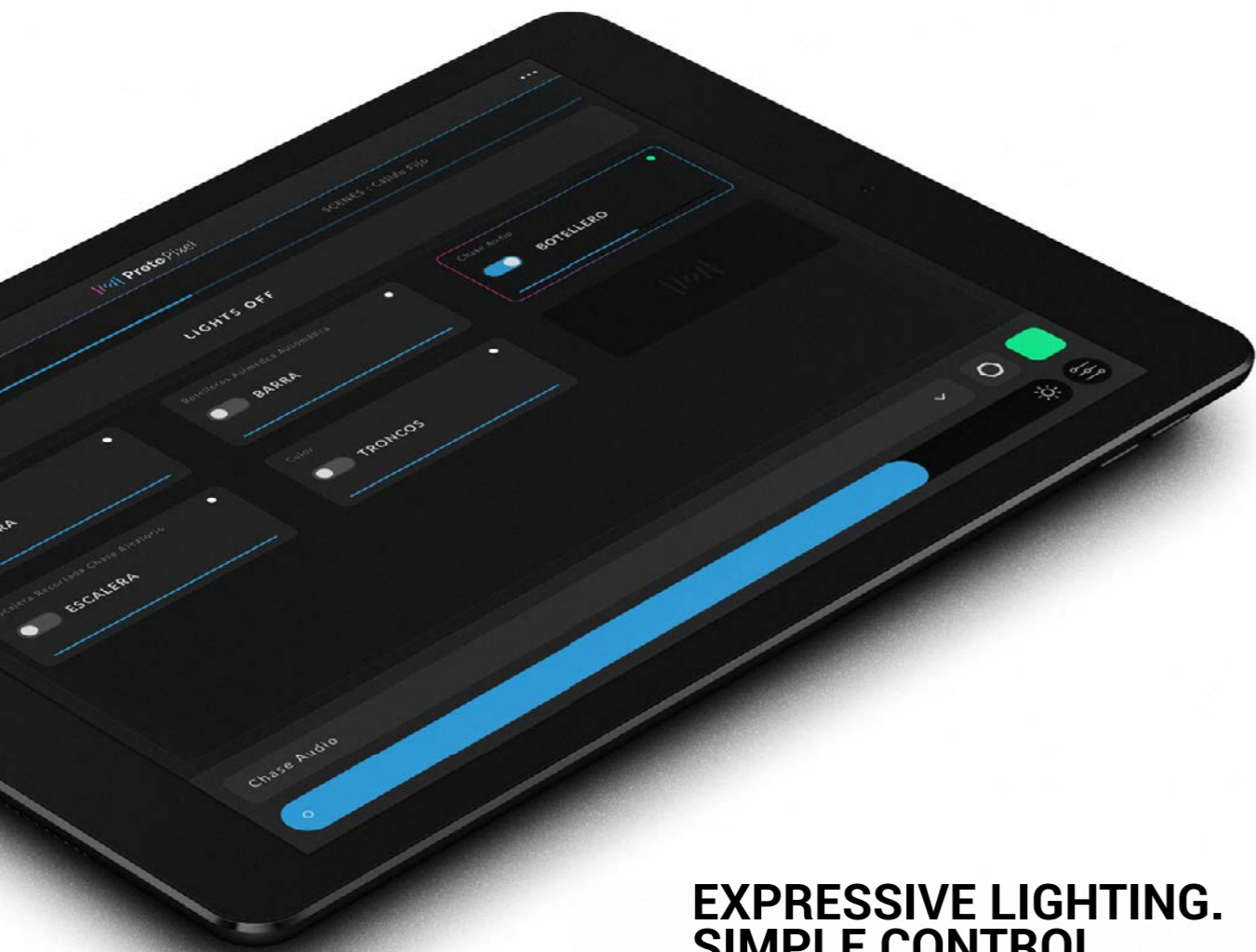
CREATE WITHOUT CONSTRAINTS

PROTOPIXEL CREATE IS THE LIGHTING DESIGN TOOL FOR EVERYONE. FROM DESIGNERS WHO WORK ON THEIR FIRST LIGHTING PROJECT, TO EXPERTS WHO NEED TO CREATE LARGE-SCALE LIGHTING EXPERIENCES



THE CENTREPIECE OF YOUR IMMERSIVE EXPERIENCE

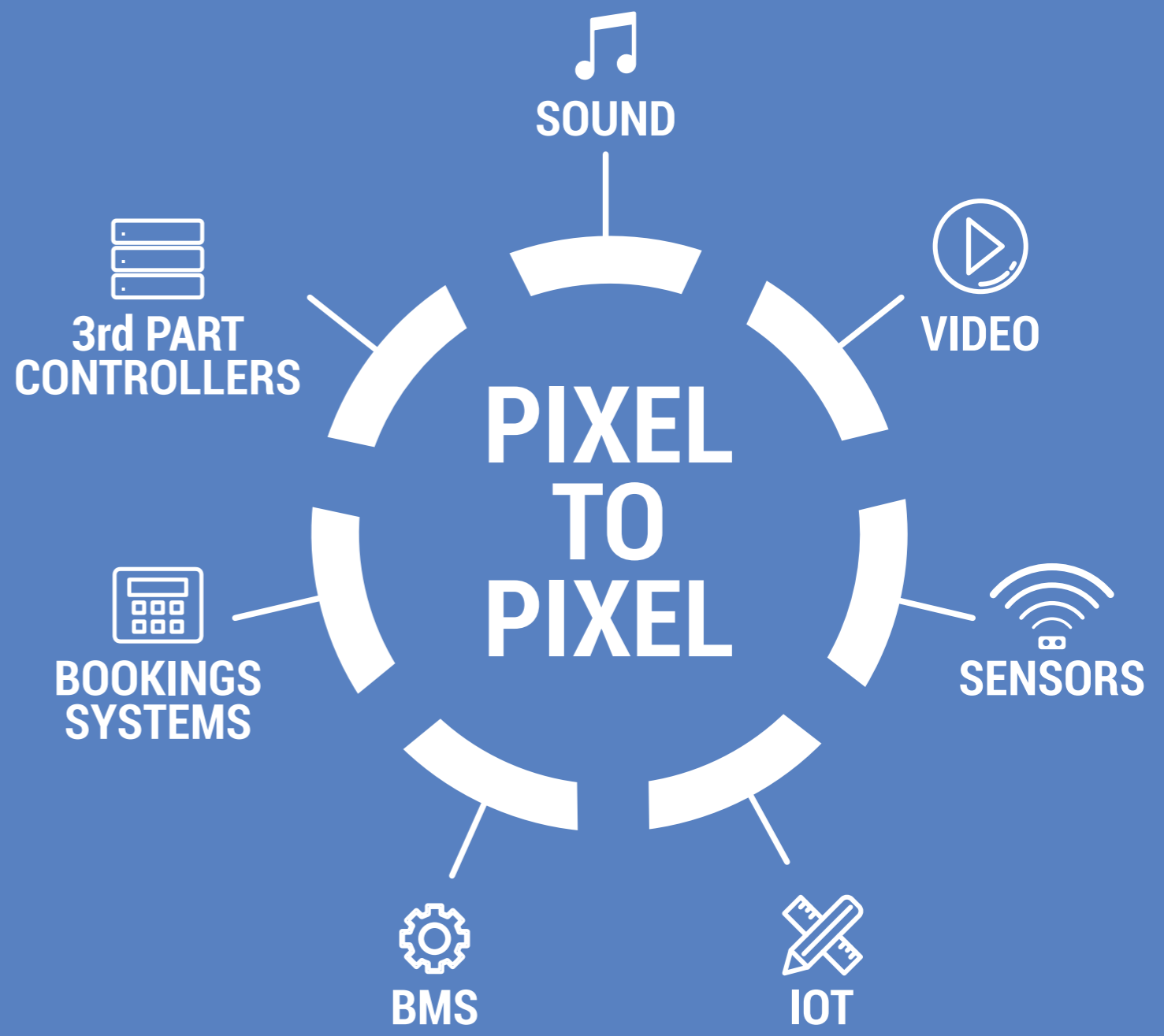
WITH PROTOPIXEL CONTROLLERS AND NODES YOU CAN DEPLOY YOUR DESIGNS IN AN INSTANT. AUTOMATE LIGHTING WITH THE DATA OF YOUR CHOICE. FROM MUSIC TO VIDEO OR EVEN SENSORS AND BMS', AND EASILY PLACE YOUR DESIGNS ONLINE, ANYWHERE, ANYTIME - ALL AT THE TOUCH OF A BUTTON.



**EXPRESSIVE LIGHTING.
SIMPLE CONTROL**

WITH PROTOPIXEL'S SPACES APP YOU ARE IN CONTROL. EASILY ADAPT YOUR PROFESSIONAL LIGHTING WITH A SWIPE. IT'S NEVER BEEN MORE CONVENIENT TO CONTROL THOUSANDS OF LEDS AT YOUR FINGERPRINTS.

**INTEGRABLE
BY DEFAULT**





THE LIGHTING
CONTROL COMPANY

Sede legale e operativa: Via Lago di Garda, 22
36077 Altavilla Vicentina (VI)
P. +39.0444.1836680 - M. info@dalcnet.com