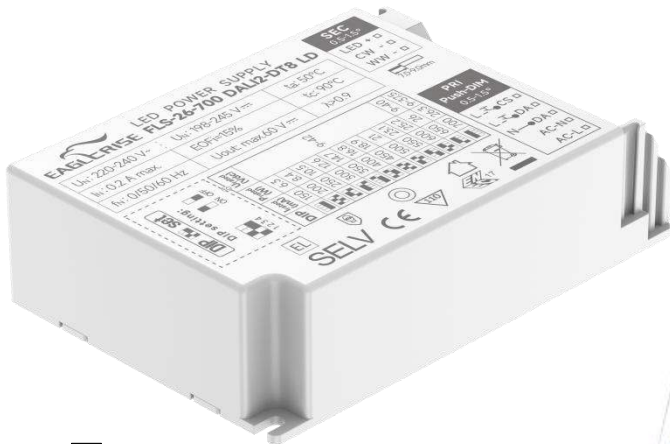


26W DALI DT8+ PUSH Dimming power supply



Features

- For luminaries of protection Class I, II, SELV, built-in
- Input Voltage 220-240VAC
- Protections: SCP/OLP/OVP/OTP
- Power Factor 0.9
- Efficiency 83%
- Support DALI-2, Push Dimming
- 5 years warranty

Applications

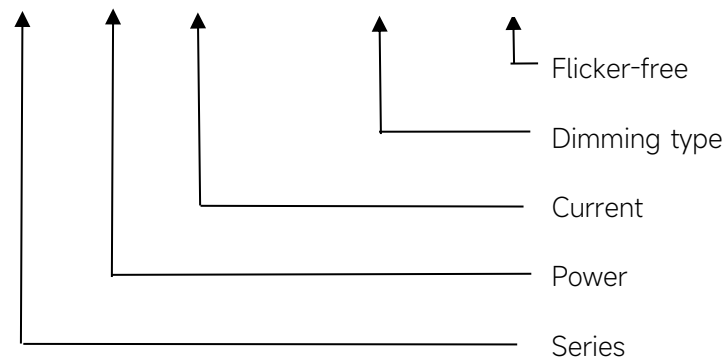
- LED panel, Down light

◆ Description

FLS-26-700 DALI-2-DT8 LD is a 26W constant current LED driver with 150 to 700mA output current and a forward voltage range from 9 to 42Vdc. The output current is adjustable by DIP Switch. With it's dimensions from 110 X 74 X 30 mm it is easy to integrate in LED Panel and down light products. To ensure trouble-free operation, protection is provided against output short circuit and over Load.

◆ Model code

FLS-26-700 DALI-2-DT8 LD



◆ Specification

	Constant Current	150mA	200mA	250mA	300mA	350mA	400mA	...	700mA
Output	Voltage Range	9-42VDC							
	Unload voltage Max.	60VDC							
	Current Accuracy	±5%							
	Output HF current ripple(≥1KHz)	±20%							
	Output LF current ripple(≤120Hz)	±3%							
	SVM	≤0.4@Full Load							
	P _{st}	≤1@Full Load							
	Efficiency(Typ.)	83%@Full Load, 240VAC							
	Input	Rated input voltage	220-240VAC						
Range of input voltage		176-264VAC							
Rated input voltage(DC)		176-280VDC							
Frequency(Hz)		0/50/60 Hz							
Displacement factor		≥0.9@Full load, 240VAC							
Power Factor		0.9@220-240VAC, full load							
Input Current max		0.2A MAX. @Full Load,176VAC							
Start-up time		< 0.5 S							
No Load Power		≤0.5W							
Standby Power		≤0.5W							
Network standby power		≤0.5W							
THD (Typ.)		10% Typ. @Full Load, 240VAC, I _o =700mA							
Dimming		Dimming	YES						
	Dimming mode	DALI-2 IEC 62386-101,102,207,209 & Push							
	Dimming depth	1%							
	Dimming current range	1 ~100%							
Protection	Over Load Protection	103-120% @I _o =700mA YES/Auto resume(When there is dimming command input)							
	Over Voltage Protection	> 60VDC YES/Auto resume(When there is dimming command input)							
	Short circuit Protection	YES/Auto resume(When there is dimming command input)							
	Over Temperature Protection	YES/Auto Resume							
Environment	Operating Temperature	-20°C~+50°C							
	Humidity	20%~90%RH							
	T _c	90°C							
	Storage Temperature	-25°C~+60°C							
	Life time	> 50000h@T _c =80°C							

Surface	Dimension	110X74X30(LXWXH)mm /With side caps :160X74X30(LXWXH)mm
standards	EN 61347-1; EN61347-2-13; EN62384; EN55015; EN61000-3-2 ; EN61000-3-3; EN 61547;	
Others	ErP	EU 2019/2020
	RoHS	RoHS (2011/65/EU) (EU)2015/863
Note	<p>1.All parameters NOT specially mentioned are measured at 230VAC input , full load and 25°C of ambient temperature.</p> <p>2.Ripple & Noise are measured at 20MHz of bandwidth by using a 300mm twisted pair-wire terminated with a 0.1uF & 47 uF parallel capacitor.</p> <p>3.The DC input for this product is only used for emergency lighting and applies to functional and safety requirements, EMC is not considered.</p>	

◆ Parameter

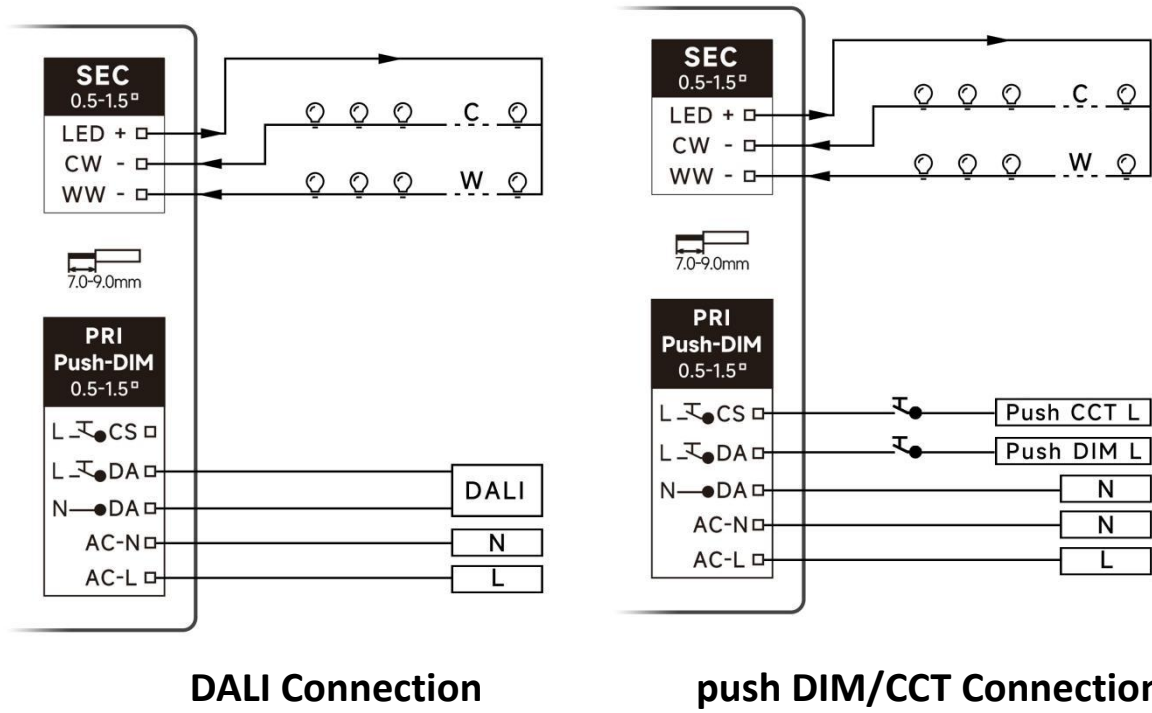
Number	Output	Switch position			
	Current(mA) I1+I2	1	2	3	4
1	150	--	--	--	--
2	200	ON	--	ON	--
3	250	--	ON	ON	--
4	300	ON	ON	ON	--
5	350	--	--	--	ON
6	400	ON	--	--	ON
7	450	--	ON	--	ON
8	500	ON	ON	--	ON
9	550	--	--	ON	ON
10	600	ON	--	ON	ON
11	650	--	ON	ON	ON
*12	700	ON	ON	ON	ON

* Factory default

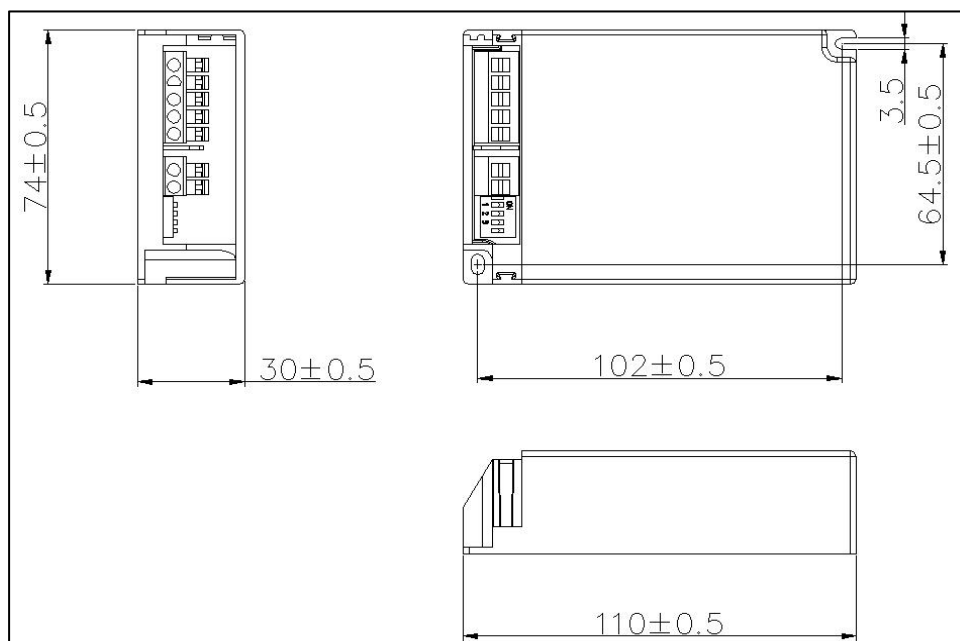
◆ Circuit Breaker

I _{peak}	T _{width}	B10	B16	B20	C10	C16	C20
5.25A	47.24μs	23pcs	37pcs	47pcs	23pcs	37pcs	47pcs

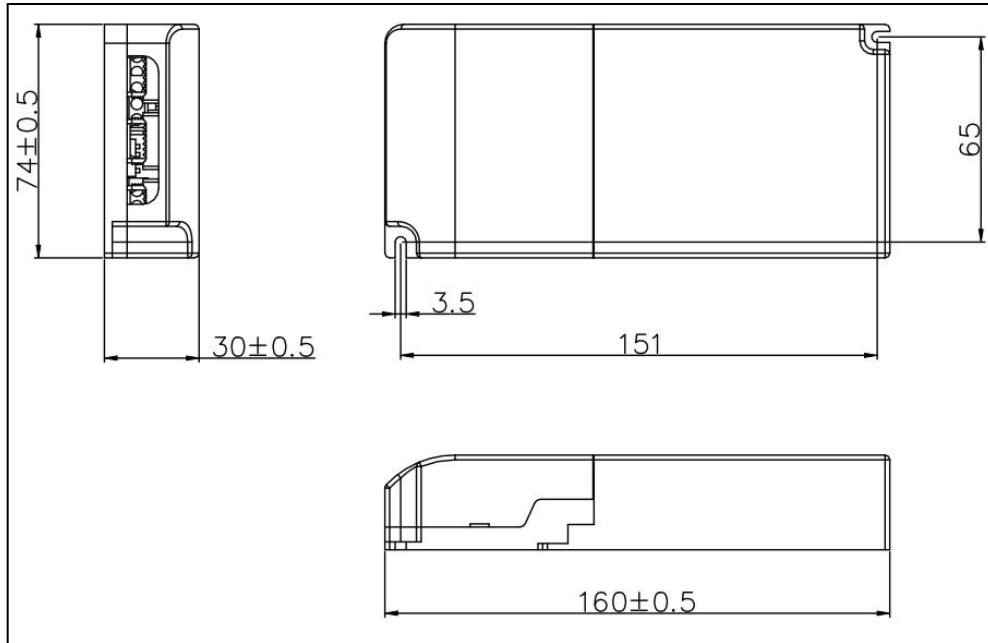
◆ **Wiring diagram**



◆ **2D diagram**



With side caps

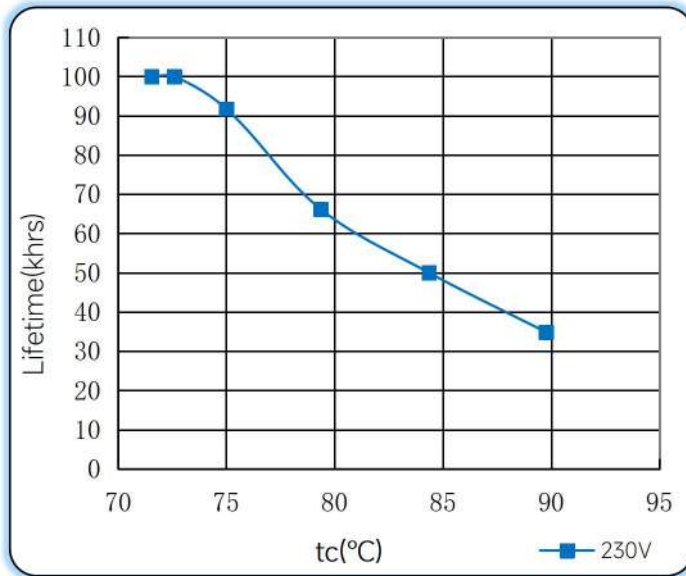


◆ Wiring & Connections

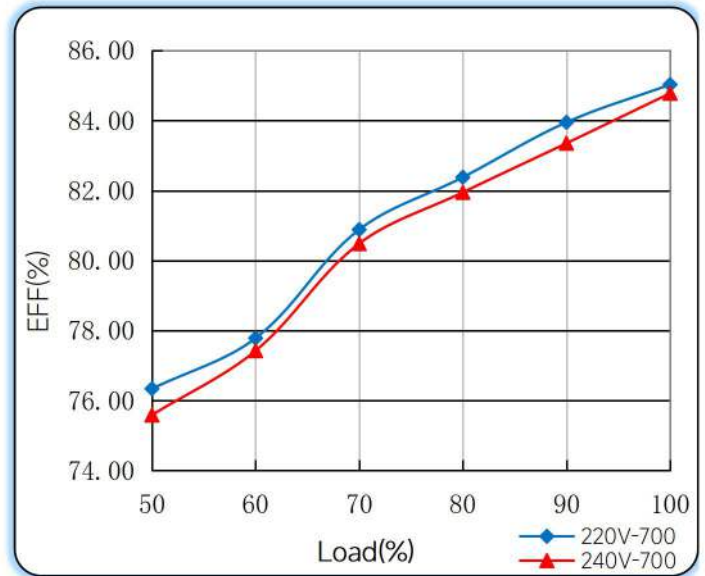
Specification item		Value (Unit)
Input	Input wire cross-section	0.5...1.5 mm ²
	Input wire gauge.	16...20 AWG
	Input wire strip length	7...9mm
Output	Output wire cross-section	0.5...1.5 mm ²
	Output wire gauge.	16...20 AWG
	Output wire strip length	7...9mm

◆ Curve for FLS-26-700 DALI-2-DT8 LD, $I_o=700mA$

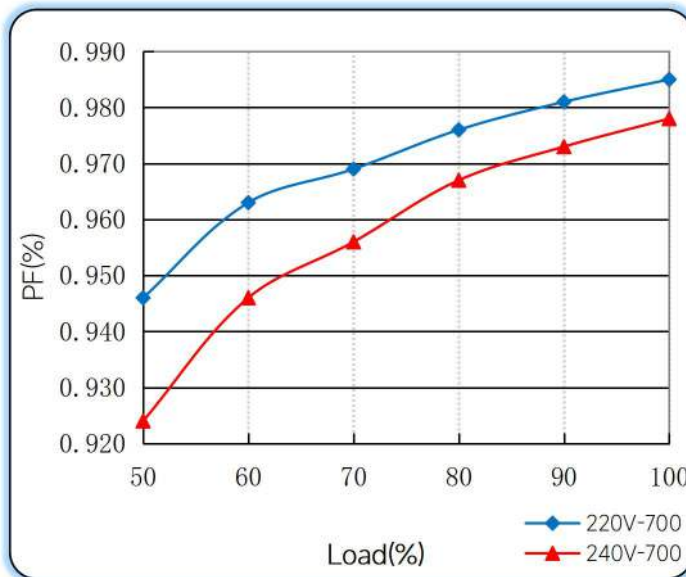
Lifetime vs. Temperature Curve



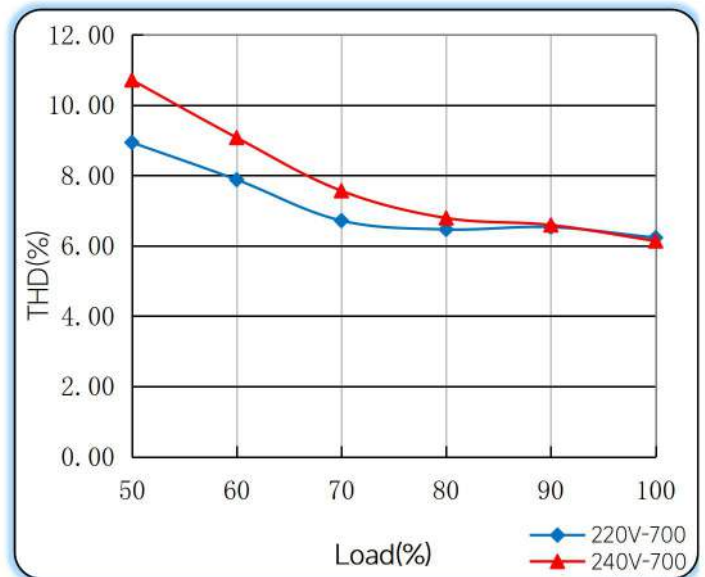
Efficiency vs. Load



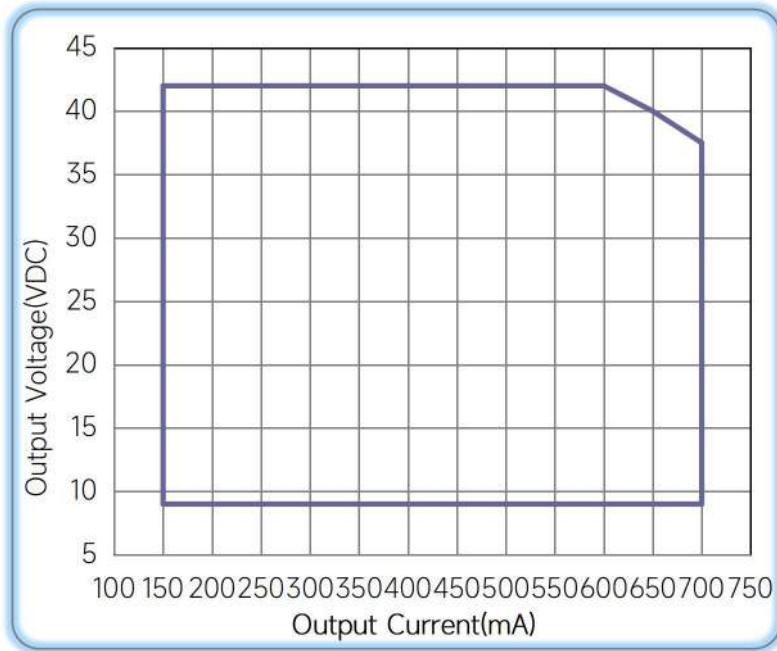
Power Factor Characteristics



THD vs. Load



◆ **Operating window**



— Operating window 100%

◆ **Revision Updates**

ITEM	BEFORE	AFTER	VERSION	DATE
Initial			A	2022/05/15

Tel: +86-0757-86256822, +86-0757-86256831

E-mail: sales@eaglerise.com

Website : <https://lighting.eaglerise.com>



EAGLERISE



Manual