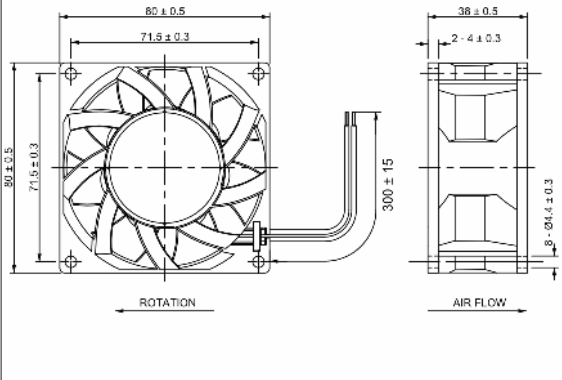
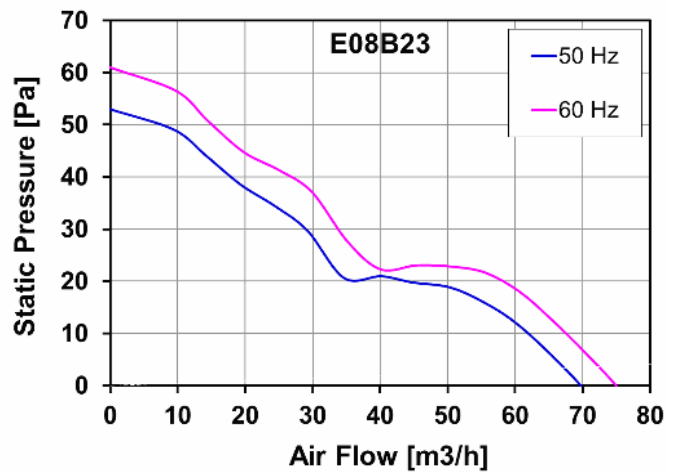
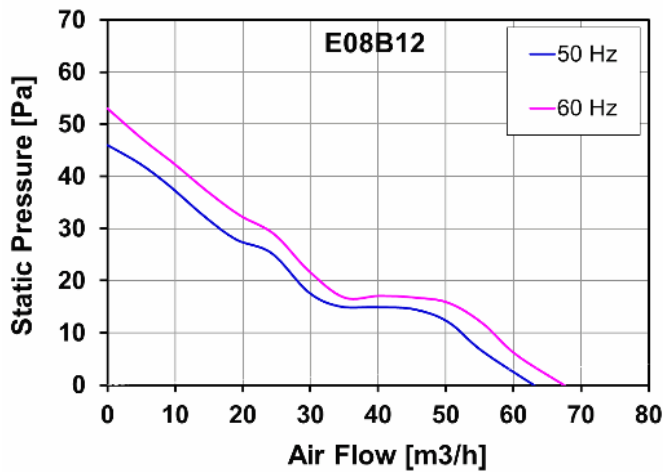


"E08BL" SERIES COSTECH FANS

Description: **EC Axial fan 80X80x38mm**



| | |
|---------------------------------|---|
| Casing material: | Thermoplastic in black color, UL 94 V-0 |
| Impeller material | Thermoplastic in black color, UL 94 V-0 |
| Protection degree: | IP20, according to EN 60529 standard |
| Fixing system: | by No 4 M4 screws |
| Motor protection: | Impedance |
| Storage temperature: | From -40°C to +80°C |
| Rated temperature range: | From -10°C to +70°C |
| Lifetime L10 at 25°C: | 50,000 h |
| Electrical connection: | 2 leads 24 AWG UL1430 |
| Approvals: | CE |
| Weight: | 0.270 kg |



All specifications, data and drawing are subject to change without notice and are approximate. Please refer to our terms of sales including our warranty and limited liabilities clauses.

| Model | Bearing | Voltage | Frequency | Rated Current | Rated Power | Max Air Flow** | Static Pressure | Noise | RPM | Approvals |
|--------------|---------|------------|-----------|---------------|-------------|----------------|-----------------|---------|-------------|-----------|
| | | (V) | (Hz) | (A) | (W) | (m3/h) | (Pa) | [db(A)] | (rpm) | |
| E08B12HWBL00 | Ball | 115 V a.c. | 50/60 | 0.06/0.06 | 5.0/5.0 | 64/68 | 46/53 | 35/37 | 2,800/3,000 | CE |
| E08B23HWBL00 | Ball | 230 V a.c. | 50/60 | 0.05/0.05 | 5.0/5.0 | 68/73 | 53/61 | 37/39 | 3,000/3,200 | CE |

data with uncertainty of 15% (T) terminals (W) wires